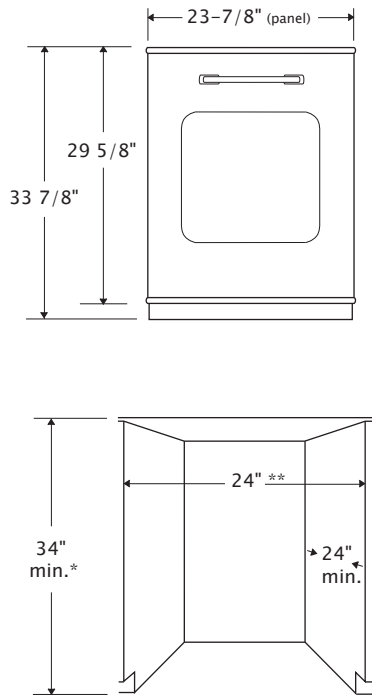


FEATURES AND SPECIFICATIONS

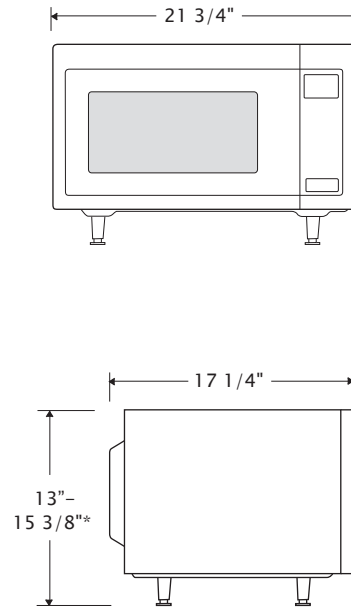
DISHWASHER

MODEL:
(DW24)



COUNTERTOP MICROWAVE

MODEL:
(MICRO16)



Capacity	14 Place Settings
Cycles	6
Cycles	Tough, Normal, Light, Express Wash, Rinse Only
Cycle Options	6
Energy Guide	270 (kWh/year) – Energy Star Qualified
Warranty	One Year Parts and Labor
Electrical	15 or 20 Amp, 120 V, 60 Hz, AC only.

Capacity	1.6 cubic feet
Output Power	1200 Watts
Cooking Uniformity	13 1/2" Diameter Turntable
Warranty	One Year Parts and Labor
Weight	38 lbs
Electrical	15 Amp, 120 V, 60 Hz, AC only.

FEATURES:

- Stamped Metal Body
- Authentic chrome trim
- Whisper Quiet® Plus (46 dBA) Sound Reduction
- Stainless Steel Interior
- Hard food disposer
- 3 Racks
- Energy Star Qualified

FEATURES:

With up to 1,200 watts of cooking power, you'll have the power you need to prepare all types of food. Sensor cooking tracks the progress of your food and automatically adjusts cooking time as needed to deliver optimal results. A recessed glass turntable also makes cooking with larger items, like cooking bowls, easy so you can prepare caramel corn, party mix and soups in the microwave.

* Measured from the lowest point on the underside of countertop.

** Minimum, measured from narrowest point of opening.

*Microwave can be ordered with or without legs. Height will vary between 13"–15 3/8" depending on selection.



TOLL FREE: 1-877-842-3269

EMAIL: info@bigchill.com

WEB: www.bigchill.com