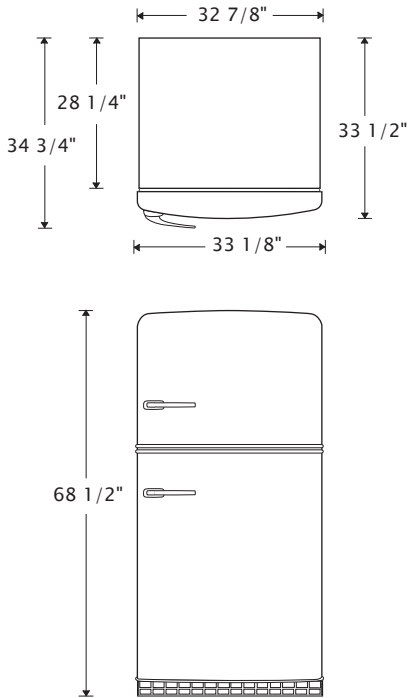
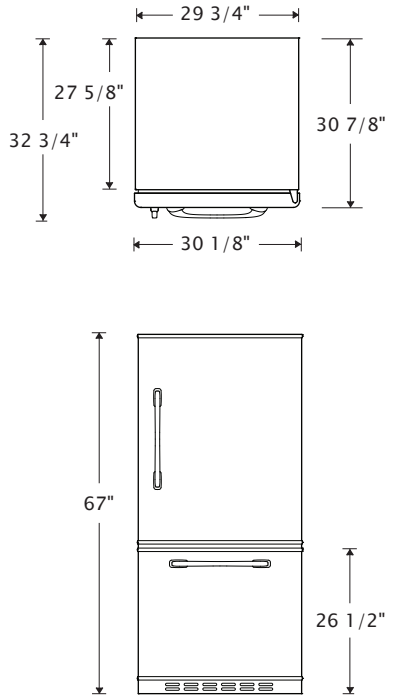


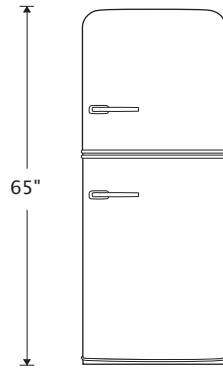
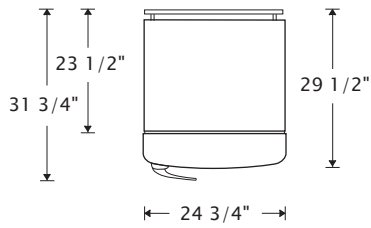
REFRIGERATOR FEATURES AND SPECIFICATIONS

ORIGINAL SIZE	MODEL: (21TF)	RETROPOLITAN	MODEL: (19BF)
			
Total Capacity	20.5 cu. ft.	Total Capacity	18.5 cu. ft.
Refrigerator Capacity	14.4 cu. ft.	Refrigerator Capacity	12.9 cu. ft.
Freezer Capacity	6.2 cu. ft.	Freezer Capacity	5.6 cu. ft.
Clearance: Back	1/2"	Clearance: Back	1/2"
Clearance: Side	1/4"	Clearance: Side	1/4"
Side Clearance for door to open 90°	4 1/2"	Side Clearance for door to open 90°	3 1/2"
Adjustable Rollers	Standard	Adjustable Rollers	Standard
Energy Guide (kWh/year)	436	Energy Guide (kWh/year)	521 (E Star)
Electrical	115V, 60Hz, AC only, 15 or 20 amp fused	Electrical	115V, 60Hz, AC only, 15 or 20 amp fused
<p>FEATURES:</p> <p>Stamped Metal Body, Chrome Trim, 2 Half-Width Clear Crisper Drawers, Gallon Door Storage, Temperature Management System, 1 Fixed Full-Width Freezer Shelf, 3 Easy-Clean Spill-Proof Glass Shelves, LED Interior Lighting, Optional Ice Maker, Available Left Hand Hinge, 1 Year Parts and Labor Warranty</p>		<p>FEATURES:</p> <p>Stamped Metal Body, Chrome Trim, Gallon Door Storage, 2 Half-Width Clear Crisper Drawers, Four Half-Width Adjustable Glass Shelves, Temperature Management System, Slide-Out Upper Freezer Basket, Glide-Out Freezer Basket with Organizer, Optional Ice Maker, Available Left Hand Hinge, 1 Year Parts and Labor Warranty, Energy Star Rated</p>	

REFRIGERATOR FEATURES AND SPECIFICATIONS

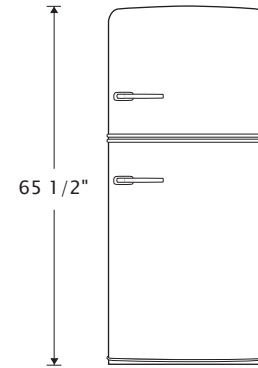
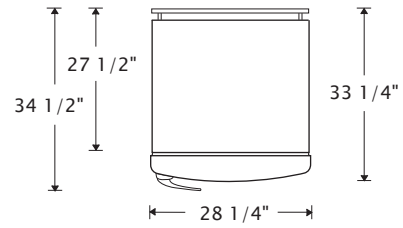
24" RETRO FRIDGE

MODEL:
(11TF)



STUDIO SERIES

MODEL:
(14TF)



Total Capacity	10.7 cu. ft.
Refrigerator Capacity	7.74 cu. ft.
Freezer Capacity	2.94 cu. ft.
Clearance: Back	1/2"
Clearance: Side	1/4"
Side Clearance for door to open 90°	5"
Adjustable Rollers	Standard
Energy Guide (kWh/year)	338
Electrical	115V, 60Hz, AC only, 15 or 20 amp fused

FEATURES:

Stamped Metal Body, Chrome Trim, Full-Width Fixed Refrigerator Door Storage, Temperature Management System, Optional Ice Maker, Available Left Hand Hinge, 1 Year Parts and Labor Warranty

Total Capacity	14.4 cu. ft.
Refrigerator Capacity	10.6 cu. ft.
Freezer Capacity	3.8 cu. ft.
Clearance: Back	1/2"
Clearance: Side	1/4"
Side Clearance for door to open 90°	4 1/2"
Adjustable Rollers	Standard
Energy Guide (kWh/year)	373
Electrical	115V, 60Hz, AC only, 15 or 20 amp fused

FEATURES:

Stamped Metal Body, Chrome Trim, 2 Half-Width Crisper Drawers, Adjustable Shelving, Available Left, Hand Hinge, Temperature Management System, Optional Ice Maker, 1 Year Parts and Labor Warranty



TEL: 1-877-842-3269

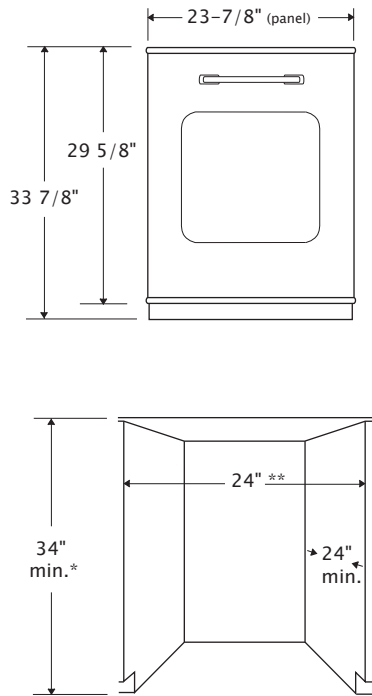
EMAIL: info@bigchill.com

WEB: www.bigchill.com

FEATURES AND SPECIFICATIONS

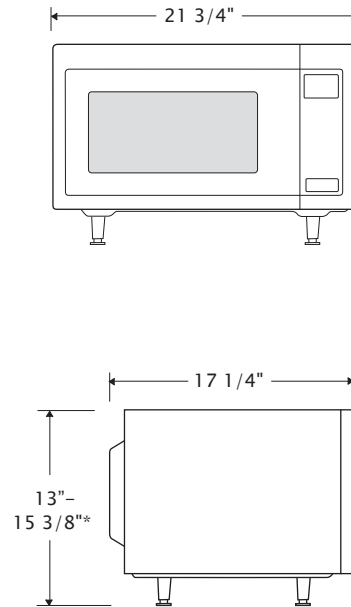
DISHWASHER

MODEL:
(DW24)



COUNTERTOP MICROWAVE

MODEL:
(MICRO16)



Capacity	14 Place Settings
Cycles	6
Cycles	Tough, Normal, Light, Express Wash, Rinse Only
Cycle Options	6
Energy Guide	270 (kWh/year) – Energy Star Qualified
Warranty	One Year Parts and Labor
Electrical	15 or 20 Amp, 120 V, 60 Hz, AC only.

Capacity	1.6 cubic feet
Output Power	1200 Watts
Cooking Uniformity	13 1/2" Diameter Turntable
Warranty	One Year Parts and Labor
Weight	38 lbs
Electrical	15 Amp, 120 V, 60 Hz, AC only.

FEATURES:

- Stamped Metal Body
- Authentic chrome trim
- Whisper Quiet® Plus (46 dBA) Sound Reduction
- Stainless Steel Interior
- Hard food disposer
- 3 Racks
- Energy Star Qualified

FEATURES:

With up to 1,200 watts of cooking power, you'll have the power you need to prepare all types of food. Sensor cooking tracks the progress of your food and automatically adjusts cooking time as needed to deliver optimal results. A recessed glass turntable also makes cooking with larger items, like cooking bowls, easy so you can prepare caramel corn, party mix and soups in the microwave.

* Measured from the lowest point on the underside of countertop.

** Minimum, measured from narrowest point of opening.

*Microwave can be ordered with or without legs. Height will vary between 13"–15 3/8" depending on selection.

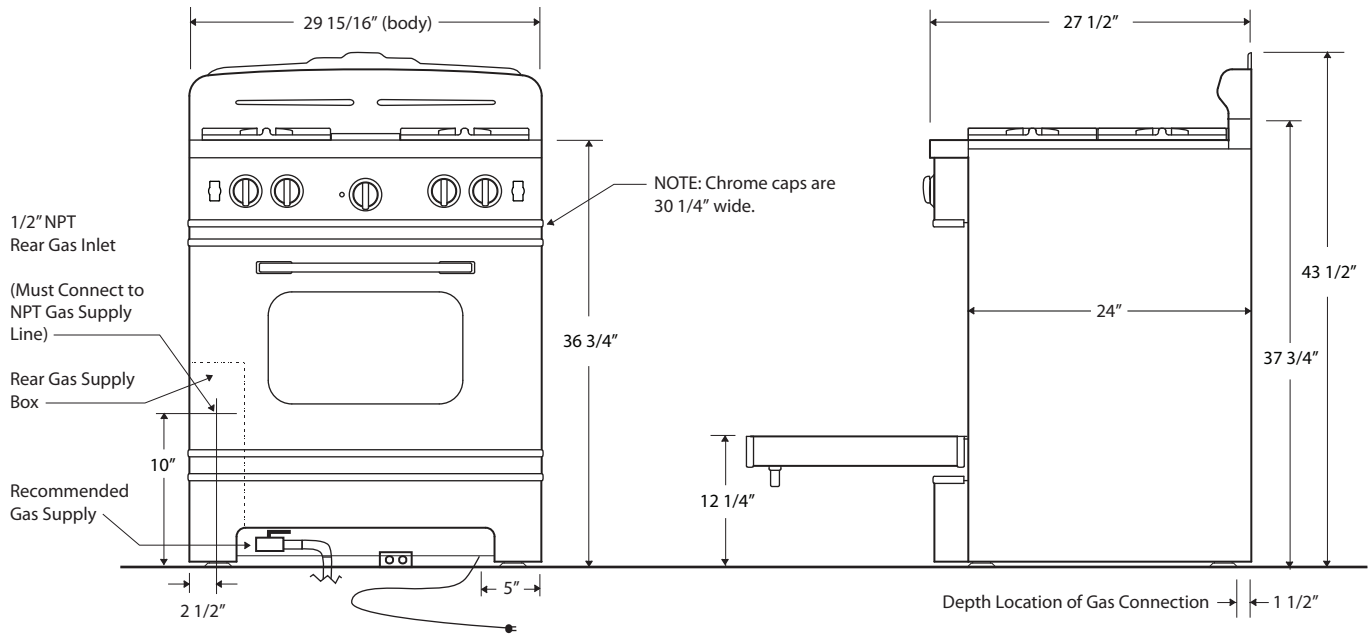


TOLL FREE: 1-877-842-3269

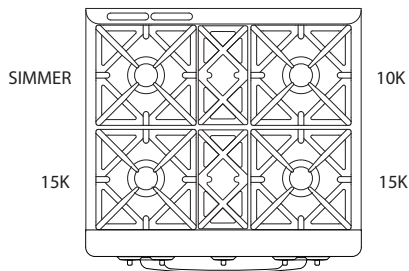
EMAIL: info@bigchill.com

WEB: www.bigchill.com

30" RANGE FEATURES AND SPECIFICATIONS



Front Burners	15,000 BTU	*Easy to clean Sealed Burner Top
Back Left Burner (Simmer)	6,000 BTU	*Automatic electronic ignition and re-ignition system
Back Right Burner	10,000 BTU	*24" depth for compatibility with standard kitchen cabinetry
Infrared Broiler Rating	15,000 BTU	*Convection fan
Oven Burner Rating	30,000 BTU	*Full Extension oven rack
Electrical Requirements	120 VAC, 15 Amps,	*Heavy-duty, commercial stainless steel construction
*(Unit must be on a non-GFI, dedicated outlet)	Single Phase	*1 year parts and labor warranty
Operating Gas Pressure	NAT: 5.0" WC LP: 10.0" WC	OVEN CAPACITY:
Install Clearance:	0" Side Cabinet 0" Back Wall 3" Top Cabinet Per Side	The cavity design of the oven provides the most precise temperature control, which delivers even heat distribution resulting in versatile performance. It has the largest oven capacity available on a 30" range and will accommodate a full-size commercial 18" x 26" baking sheet.



INFRARED BROILER:

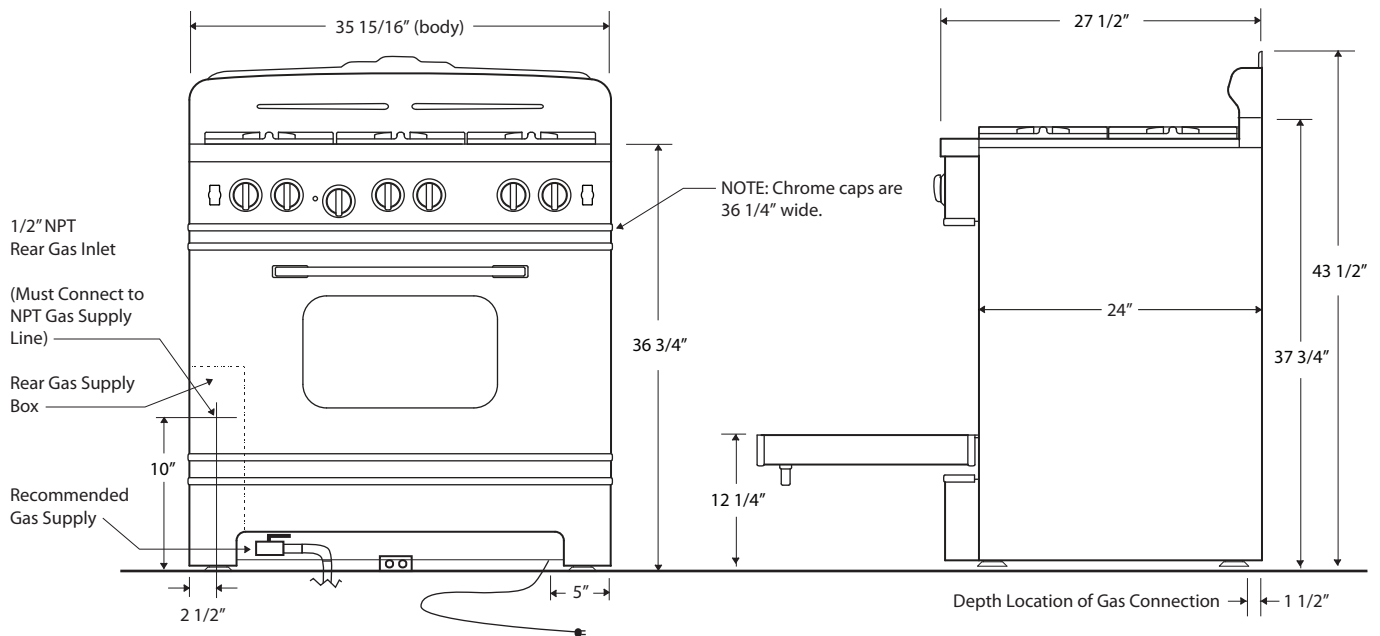
Because of its popularity in the commercial market, the direct-fired ceramic infrared broiler is standard on all residential ranges. The large burner produces 1850 F of intense, searing heat close to the burner, while effecting a gentler broiling for foods placed farther away. The broiler is fully recessed into the oven's top to create maximum cooking space.

FULL MOTION GRATES:

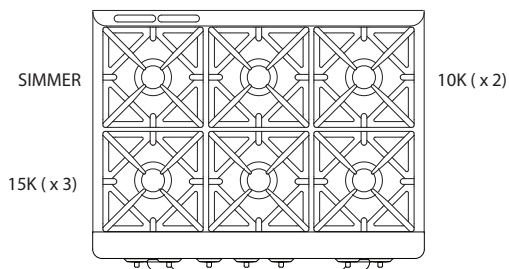
Bring sauce to a boil while stirring on a front burner, then slide it to the rear to simmer while you saute up front! Our full motion grates allow you to easily reposition pots and pans from front to rear burners without lifting. The grates are also oversized to accommodate the largest stock pots and saute pans.



36" RANGE FEATURES AND SPECIFICATIONS



Front Burners	15,000 BTU	*Easy to clean Sealed Burner Top
Back Left Burner (Simmer)	6,000 BTU	*Automatic electronic ignition and re-ignition system
Back Right Burners	10,000 BTU	*24" depth for compatibility with standard kitchen cabinetry
Infrared Broiler Rating	15,000 BTU	*Convection fan
Oven Burner Rating	30,000 BTU	*Full Extension oven rack
Electrical Requirements	120 VAC, 15 Amps,	*Heavy-duty, commercial stainless steel construction
*(Unit must be on a non-GFI, dedicated outlet)	Single Phase	*1 year parts and labor warranty
Operating Gas Pressure	NAT: 5.0" WC LP: 10.0" WC	OVEN CAPACITY:
Install Clearance:	0" Side Cabinet 0" Back Wall 3" Top Cabinet Per Side	The cavity design of the oven provides the most precise temperature control, which delivers even heat distribution resulting in versatile performance. It has the largest oven capacity available on a 36" range and will accommodate a full-size commercial 18" x 26" baking sheet.



INFRARED BROILER:

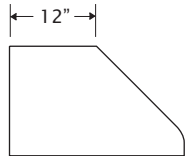
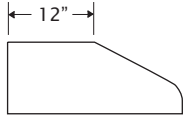
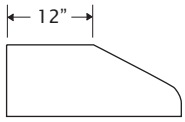
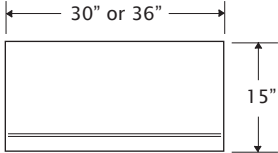
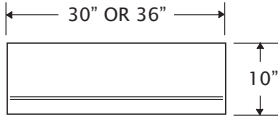
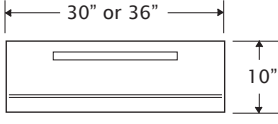
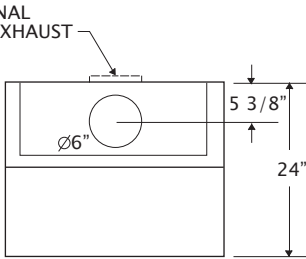
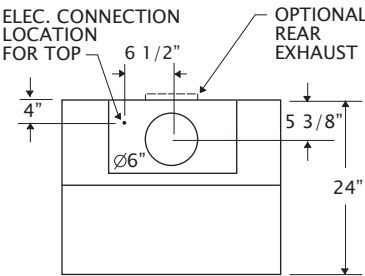
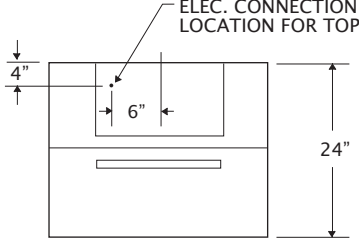
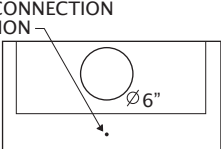
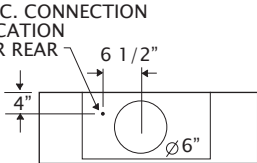
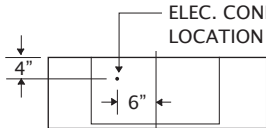
Because of its popularity in the commercial market, the direct-fired ceramic infrared broiler is standard on all residential ranges. The large burner produces 1850 F of intense, searing heat close to the burner, while effecting a gentler broiling for foods placed farther away. The broiler is fully recessed into the oven's top to create maximum cooking space.

FULL MOTION GRATES:

Bring sauce to a boil while stirring on a front burner, then slide it to the rear to simmer while you saute up front! Our full motion grates allow you to easily reposition pots and pans from front to rear burners without lifting. The grates are also oversized to accommodate the largest stock pots and saute pans.



RANGE HOOD FEATURES AND SPECIFICATIONS

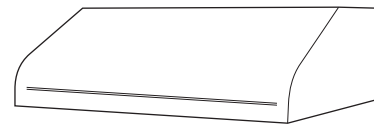
15" Hood MODELS: (BCH3015) (BCH3615)	10" Hood MODELS: (BCH3010) (BCH3610)	10" Hood—RECIRCULATING MODELS: (BCH3010R) (BCH3610R)			
 SIDE VIEW	 SIDE VIEW	 SIDE VIEW			
 FRONT VIEW	 FRONT VIEW	 FRONT VIEW			
 TOP VIEW	 TOP VIEW	 TOP VIEW			
 BACK VIEW	 BACK VIEW	 BACK VIEW			
Dimensions	15"H x 30"W(OR 36") x 24"D	Dimensions	10"H x 30"W(OR 36") x 24"D	Dimensions	10"H x 30"W(OR 36") x 24"D
Vent	External, Reversible top or rear exhaust.	Vent	External, Reversible top or rear exhaust.	Vent	Recirculating
Blower	600 CFM/ 3-Speed	Blower	600 CFM/ Variable Speed	Blower	520 CFM/ Variable Speed
Electrical	120 VAC, 15 Amps	Electrical	120 VAC, 15 Amps	Electrical	120 V, 15 Amps

FEATURES:

Commercial grade 18 gauge 300 stainless steel construction, Welded seamless corners, Dishwasher safe stainless steel baffle filters, Variable or 3-speed blower control, Halogen lamps with dimmer control, Largest filtered capture in the industry

INSTALL NOTES:

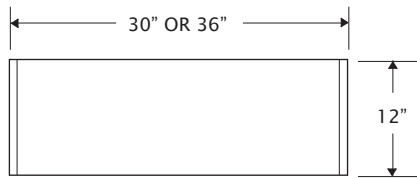
Allow 30"-36" between stove top and bottom of range hood (or per your local city codes).



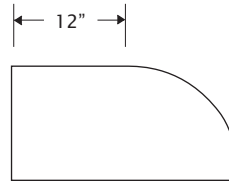
RANGE HOOD FEATURES AND SPECIFICATIONS

12" Tall Bungalow Hood

MODELS:
(BCH3012)
(BCH3612)

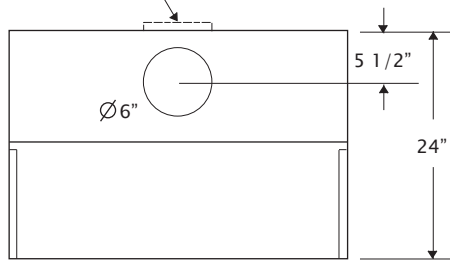


FRONT VIEW

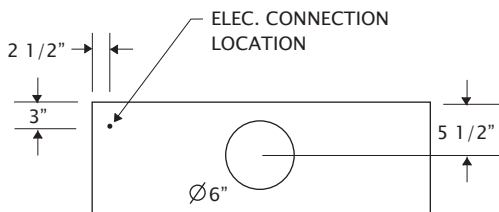


SIDE VIEW

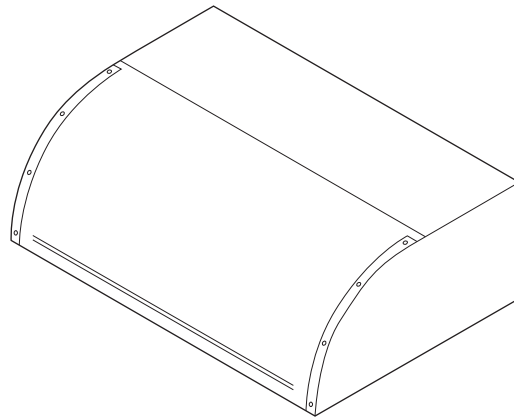
OPTIONAL
REAR EXHAUST



TOP VIEW



BACK VIEW



Dimensions	12"H x 30"W (OR 36") x 24"D
Vent	External, Reversible top or rear exhaust.
Blower	600 CFM / 3-Speed
Electrical	120 VAC, 15 Amps

FEATURES:

Commercial grade 18 gauge 300 stainless steel construction, Welded seamless corners, Dishwasher safe stainless steel baffle filters, 3-Speed blower control, Halogen lamps with dimmer control, Largest filtered capture in the industry

INSTALL NOTES:

Allow 30"-36" between stove top and bottom of range hood (or per your local city codes).

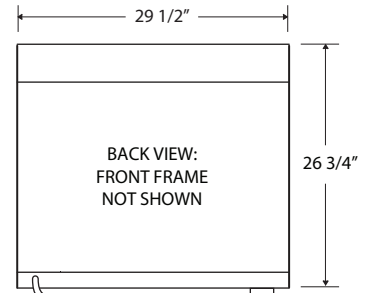
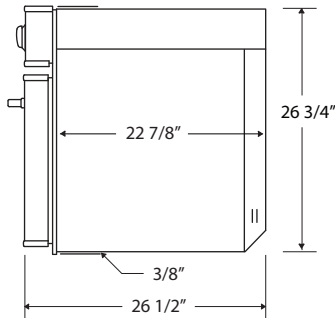
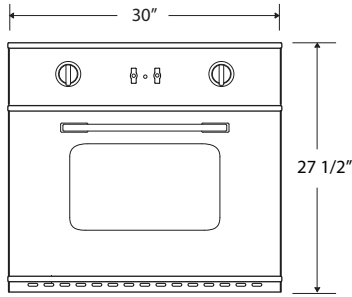


TOLL FREE: 1-877-842-3269

EMAIL: info@bigchill.com

WEB: www.bigchill.com

WALL OVEN FEATURES AND SPECIFICATIONS



LOCATION OF ELECTRICAL CONNECTION. ATTACHED TO 20" FLEXIBLE CONDUIT.

FEATURES

- *4 cu.ft. Large Oven Capacity
- *2500 watt bake element
- *5000 watt broil element
- *Selectable convection mode
- *Coved corner interior with removable bottom for easy cleaning
- *Heavy duty, full extension oven racks
- *1 year parts and labor warranty
- *Traditional black/white stippled interior
- *Heavy-duty, stainless steel construction
- *Can be installed in wall or island
- *800 watt rear element
- *Simple controls
- *Can be stacked to double capacity

Oven Capacity

The cavity design of the oven provides the most precise temperature control, which delivers even heat distribution resulting in versatile performance. It has the largest oven capacity available on a 30" range and will accommodate a full-size commercial 18" x 26" baking sheet.

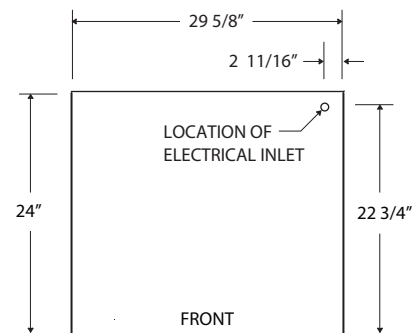
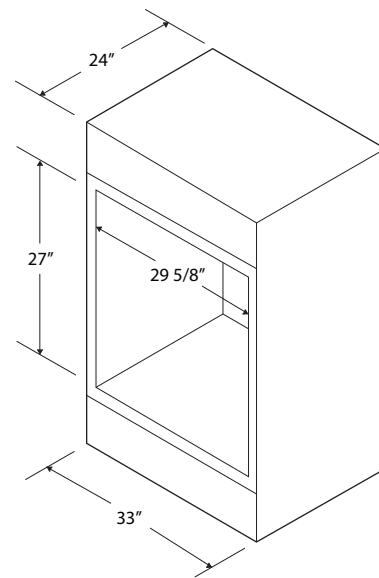
Electrical Requirements

240 Volt, 60 Hertz, 35AMPS, Single Phase
 *(Unit must be on a non-GFI, dedicated outlet)



CABINET CLEARANCES

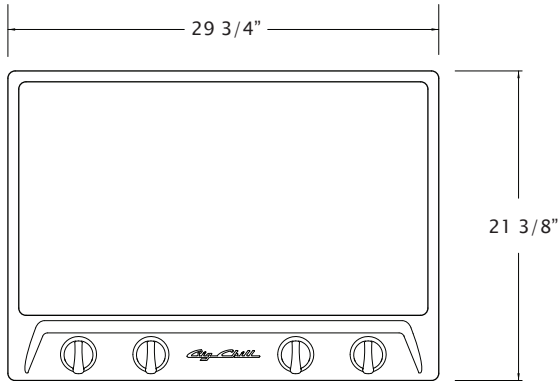
*RECOMMENDED CABINET WIDTH IS 33"



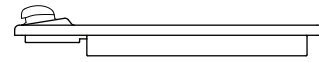
TOP VIEW CABINET

INDUCTION COOKTOP FEATURES AND SPECIFICATIONS

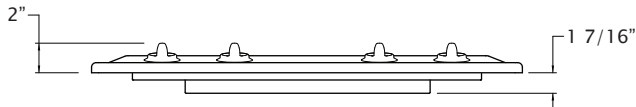
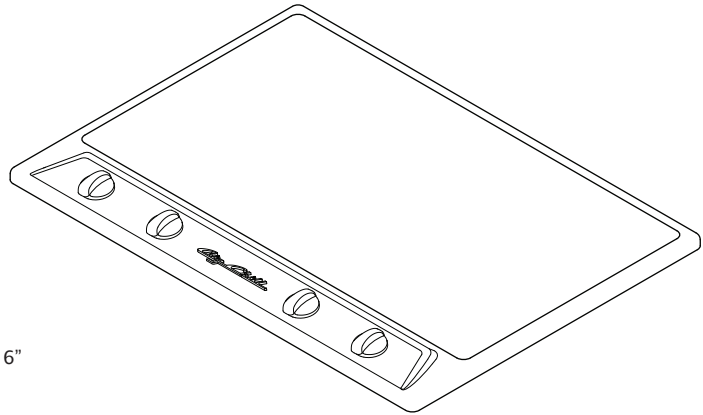
30" Retro Induction Cooktop



TOP VIEW



SIDE VIEW



FRONT VIEW

Dimensions	2"H x 29 3/4"W x 21 3/8"D
Electrical	240/ 208 VAC, 40 Amps
	Max Power: 7400 W

FEATURES:

9 Heat Levels, Power Booster, Boils a gallon of water in under 5 minutes, Large 9" induction elements provide up to 3,700 watts of cooking power per zone, Available in 8 standard colors and 200 custom colors

INSTALL NOTES:

Allow 30"-36" between stove top and bottom of range hood (or per your local city codes).



TOLL FREE: 1-877-842-3269

EMAIL: info@bigchill.com

WEB: www.bigchill.com



ADDRESS: P.O. Box 892, Boulder, CO 80306

TOLL FREE: 1-877-842-3269

FAX: 720-565-0650

EMAIL: info@bigchill.com

WEB: www.bigchill.com

MODEL	DESCRIPTION	RETAIL
-------	-------------	--------

RANGES / HOODS / WALL OVEN / INDUCTION COOKTOP

BCS30*	30" All Gas Freestanding Retro Range (29 15/16"W x 43 1/2"H x 27 1/2"D)	\$4495
BCS36*	36" All Gas Freestanding Retro Range (35 15/16"W x 43 1/2"H x 27 1/2"D)	\$5795
BCS30-CLA*	30" All Gas Freestanding Classic: 1900 Series Range (29 15/16"W x 43 1/2"H x 27 1/2"D)	\$4995
30ICR	30" Retro Induction Cooktop	\$2195

*Ranges available in Natural Gas (NG) or Propane (LPG).

BCH3010	30" Retro Hood (30"W x 10"H x 24"D). 600 CFM blower included.	\$1595
BCH3010R	30" Recirculating Retro Hood (30"W x 10"H x 24"D). 500 CFM blower included.	\$1795
BCH3015	30" Retro Hood (30"W x 15"H x 24"D). 600 CFM blower included.	\$1895
BCH3615	36" Retro Hood (36"W x 15"H x 24"D). 600 CFM blower included.	\$2095
BCH3610	36" Retro Hood (36"W x 10"H x 24"D). 600 CFM blower included.	\$1895
BCH3610R	36" Recirculating Retro Hood (36"W x 10"H x 24"D). 500 CFM blower included.	\$2095
BCH3012	30" Retro Bungalow Hood (30"W x 12"H x 24"D). 600 CFM blower included.	\$2195
BCH3612	36" Retro Bungalow Hood (36"W x 12"H x 24"D). 600 CFM blower included.	\$2295
BCH3018-CLA	30" Classic: 1900 Series Hood (30"W x 18"H x 24"D). 600 CFM blower included.	\$2695
BCH3010-CLA	30" Classic Hood (30"W x 10"H x 24"D). 600 CFM blower included.	\$1695
BCH3010R-CLA	30" Recirculating Classic Hood (30"W x 10"H x 24"D). 500 CFM blower included.	\$1795

BCWO30	30" Retro Wall Oven (30"W x 27 1/2"H)	\$3695
--------	---------------------------------------	--------

RETRO COLORS:	White (WT), Black (BK), Beach Blue (BB), Cherry Red (CR), Buttercup Yellow (BY), Jadite Green (JG), Pink Lemonade (PL), Orange (OR)	\$0
CLASSIC COLORS:	White (WT), Matte Black (MB), French Blue (FB), Cabernet (CA), Cream (CM), Stainless Steel (SS)	\$0
	Custom RAL Color (CC)- Ranges / Wall Ovens	\$400
	Custom RAL Color (CC)- Hoods	\$150

REFRIGERATORS

21TF	20.9 cu.ft. Retro Top Freezer Refrigerator (33"W x 68 1/2"H x 33 1/2"D)	\$3295
19BF	18.5 cu.ft. Retro Bottom Freezer Refrigerator (30"W x 66"H x 31"D)	\$3595
14TF	14.4 cu.ft. Retro Top Freezer Refrigerator (28 1/2"W x 65"H x 33"D)	\$2895
11TF	10.7 cu.ft. Retro Top Freezer	

RETRO COLORS:	White (WT), Black (BK), Beach Blue (BB), Cherry Red (CR), Buttercup Yellow (BY), Jadite Green (JG), Pink Lemonade (PL), Orange (OR)	\$0
	Beach Cruiser (Split Color)	\$800
	Custom RAL Color (CC)- Full Size Refrigerators	\$400

OPTIONS FOR REFRIGERATORS:

ICE	Factory Installed Ice Maker (Available on 21TF and 14TF)	\$195
LEFT HANDLE	Left Handle / Hinge Right (Standard)	\$0
RIGHT HANDLE	Right Handle / Hinge Left	\$0

DISHWASHERS / DISHWASHER PANELS / MICROWAVES

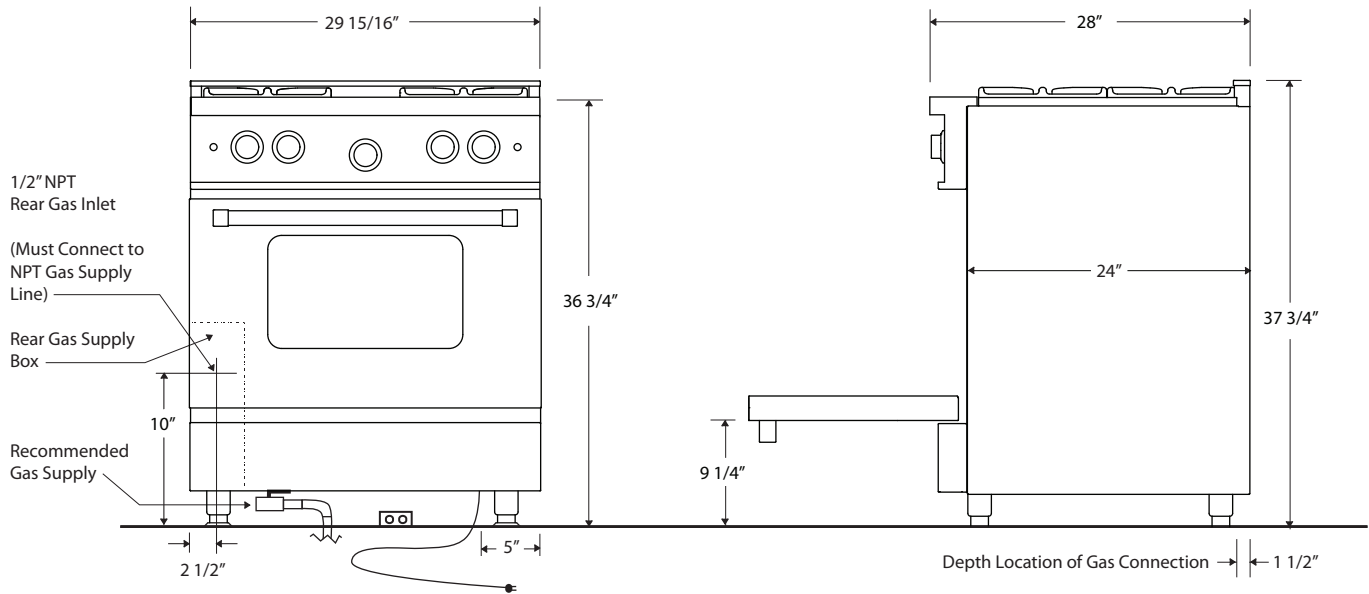
DW24	24" Retro Dishwasher, Stainless Steel Tub, Panel included.	\$1895
DWP24*	Panel Only	\$525

*Our dishwasher panel is designed to fit KitchenAid Fully Integrated dishwashers. Other brands may fit our panel as well.

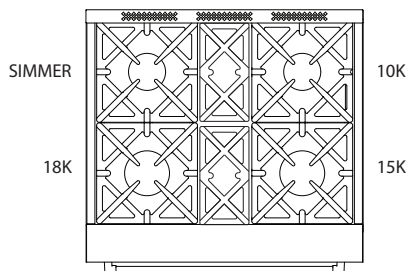
MICRO16	1.6 cu.ft. Retro Countertop Microwave (21 3/4"W x 13"-15 3/8"H x 17 1/4"D)	\$595
---------	--	-------

RETRO COLORS:	White (WT), Black (BK), Beach Blue (BB), Cherry Red (CR), Buttercup Yellow (BY), Jadite Green (JG), Pink Lemonade (PL), Orange (OR)	\$0
	Custom RAL Color (CC)	\$150

30" PRO RANGE FEATURES AND SPECIFICATIONS



Front Burners	15-18,000 BTU	*Easy to clean Sealed Burner Top
Back Left Burner (Simmer)	6,000 BTU	*Automatic electronic ignition and re-ignition system
Back Right Burner	10,000 BTU	*24" depth for compatibility with standard kitchen cabinetry
Infrared Broiler Rating	15,000 BTU	*Convection fan
Oven Burner Rating	30,000 BTU	*Full Extension oven rack
Electrical Requirements	120 VAC, 15 Amps,	*Heavy-duty, commercial stainless steel construction
*(Unit must be on a non-GFI, dedicated outlet)	Single Phase	*1 year parts and labor warranty
Operating Gas Pressure	NAT: 5.0" WC LP: 10.0" WC	OVEN CAPACITY:
Install Clearance:	0" Side Cabinet 0" Back Wall 6" Side Wall	The cavity design of the oven provides the most precise temperature control, which delivers even heat distribution resulting in versatile performance. It has the largest oven capacity available on a 30" range and will accommodate a full-size commercial 18" x 26" baking sheet.



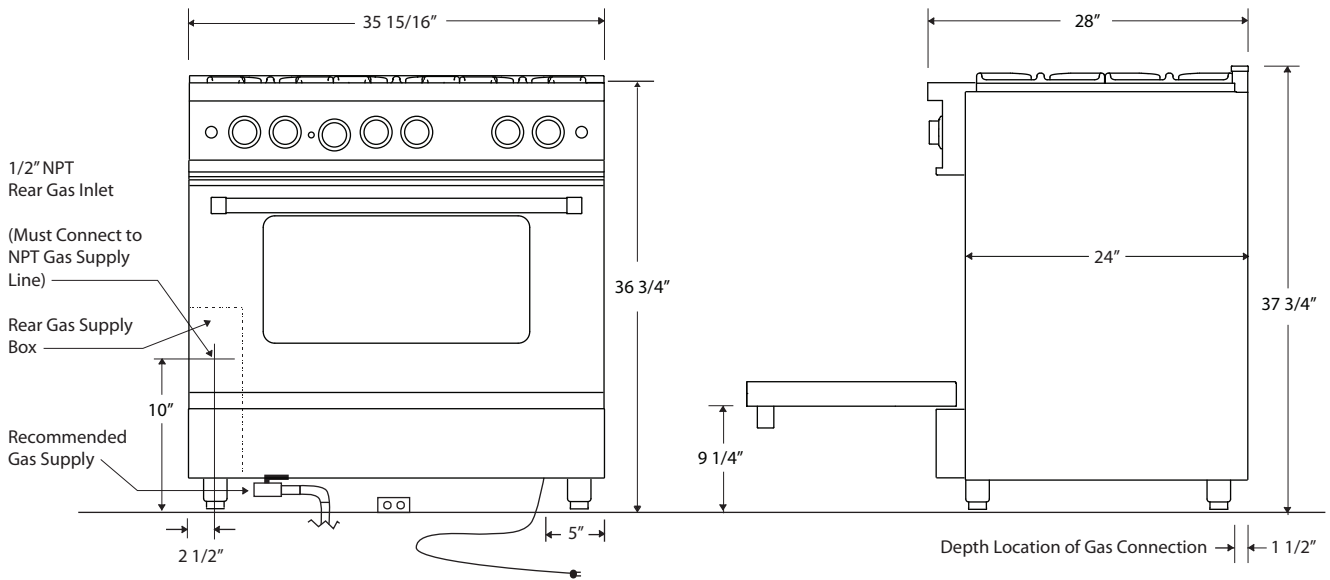
INFRARED BROILER:

Because of its popularity in the commercial market, the direct-fired ceramic infrared broiler is standard on all residential ranges. The large burner produces 1850 F of intense, searing heat close to the burner, while effecting a gentler broiling for foods placed farther away. The broiler is fully recessed into the oven's top to create maximum cooking space.

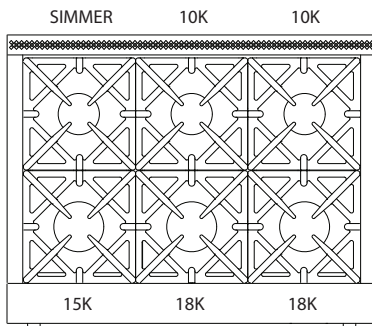
FULL MOTION GRATES:

Bring sauce to a boil while stirring on a front burner, then slide it to the rear to simmer while you saute up front! Our full motion grates allow you to easily reposition pots and pans from front to rear burners without lifting. The grates are also oversized to accommodate the largest stock pots and saute pans.

36" PRO RANGE FEATURES AND SPECIFICATIONS



Front Burners	15,000-18,000 BTU	*Easy to clean Sealed Burner Top
Back Left Burner (Simmer)	6,000 BTU	*Automatic electronic ignition and re-ignition system
Back Center / Right Burner	10,000 BTU	*24" depth for compatibility with standard kitchen cabinetry
Infrared Broiler Rating	15,000 BTU	*Convection fan
Oven Burner Rating	30,000 BTU	*Full Extension oven rack
Electrical Requirements	120 VAC, 15 Amps,	*Heavy-duty, commercial stainless steel construction
*(Unit must be on a non-GFI, dedicated outlet)	Single Phase	*1 year parts and labor warranty
Operating Gas Pressure	NAT: 5.0" WC LP: 10.0" WC	OVEN CAPACITY:
Install Clearance:	0" Side Cabinet 0" Back Wall 6" Side Wall	The cavity design of the oven provides the most precise temperature control, which delivers even heat distribution resulting in versatile performance. It has the largest oven capacity available on a 30" range and will accommodate a full-size commercial 18" x 26" baking sheet.



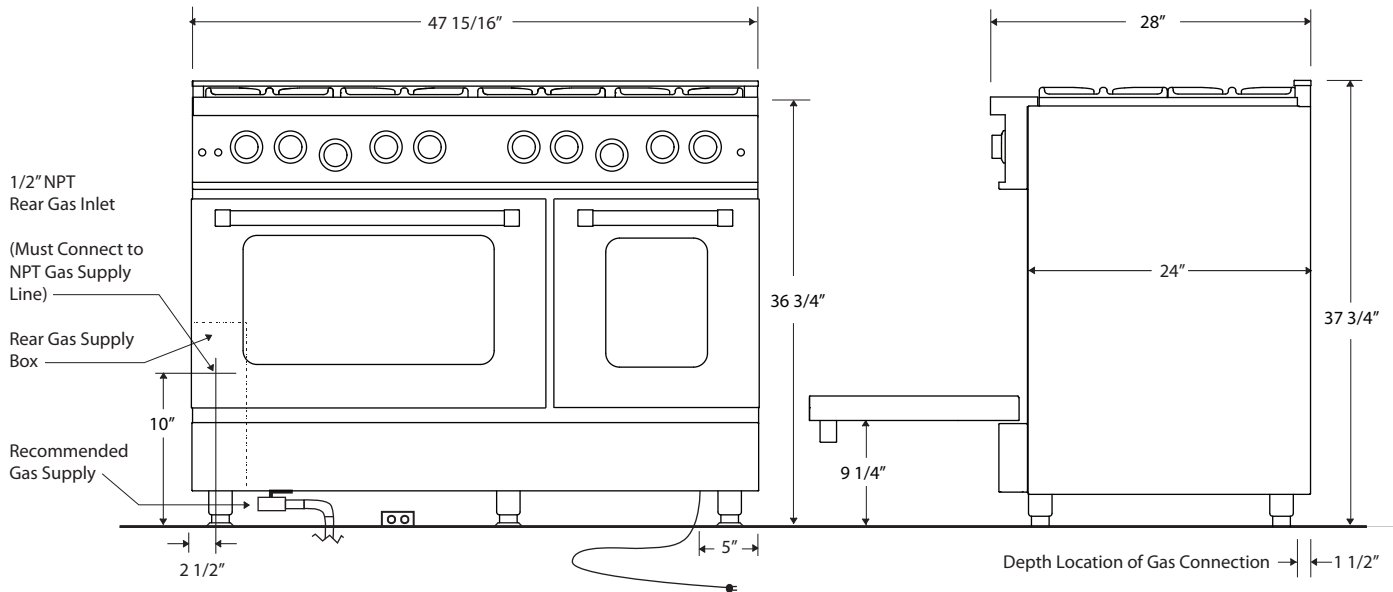
INFRARED BROILER:

Because of its popularity in the commercial market, the direct-fired ceramic infrared broiler is standard on all residential ranges. The large burner produces 1850 F of intense, searing heat close to the burner, while effecting a gentler broiling for foods placed farther away. The broiler is fully recessed into the oven's top to create maximum cooking space.

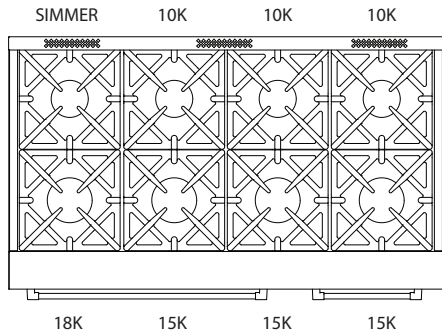
FULL MOTION GRATES:

Bring sauce to a boil while stirring on a front burner, then slide it to the rear to simmer while you saute up front! Our full motion grates allow you to easily reposition pots and pans from front to rear burners without lifting. The grates are also oversized to accommodate the largest stock pots and saute pans.

48" PRO RANGE FEATURES AND SPECIFICATIONS



Front Burners	15,000-18,000 BTU	*Easy to clean Sealed Burner Top
Back Left Burner (Simmer)	6,000 BTU	*Automatic electronic ignition and re-ignition system
Back Burners	6,000-10,000 BTU	*24" depth for compatibility with standard kitchen cabinetry
Infrared Broiler Rating	15,000 BTU	*Convection fan
Oven Burner Rating	30,000 BTU	*Full Extension oven rack
Electrical Requirements	120 VAC, 15 Amps,	*Heavy-duty, commercial stainless steel construction
*(Unit must be on a non-GFI, dedicated outlet)	Single Phase	*1 year parts and labor warranty
Operating Gas Pressure	NAT: 5.0" WC LP: 10.0" WC	OVEN CAPACITY:
Install Clearance:	0" Side Cabinet 0" Back Wall 6" Side Wall	The cavity design of the oven provides the most precise temperature control, which delivers even heat distribution resulting in versatile performance. It has the largest oven capacity available on a 48" range and will accommodate a full-size commercial 18" x 26" baking sheet.



INFRARED BROILER:

Because of its popularity in the commercial market, the direct-fired ceramic infrared broiler is standard on all residential ranges. The large burner produces 1850 F of intense, searing heat close to the burner, while effecting a gentler broiling for foods placed farther away. The broiler is fully recessed into the oven's top to create maximum cooking space.

FULL MOTION GRATES:

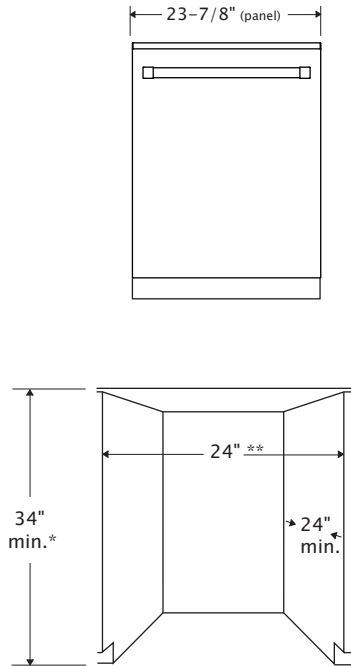
Bring sauce to a boil while stirring on a front burner, then slide it to the rear to simmer while you saute up front! Our full motion grates allow you to easily reposition pots and pans from front to rear burners without lifting. The grates are also oversized to accommodate the largest stock pots and saute pans.



PRO FEATURES AND SPECIFICATIONS

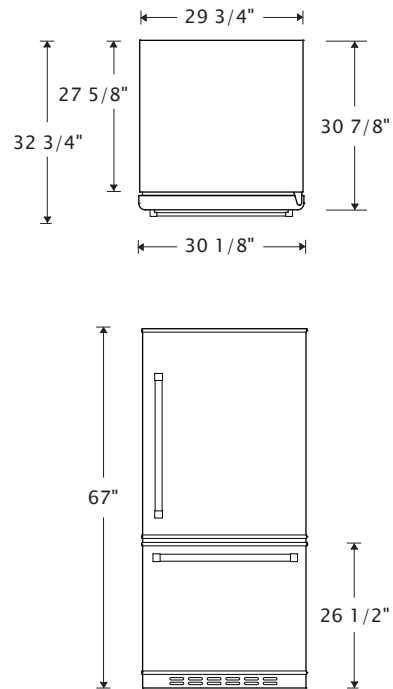
24" PRO DISHWASHER

MODEL:
DW24-PRO



30" PRO Refrigerator

MODEL:
19BF-PRO



Capacity	14 Place Settings
Cycles	6
Cycles	Tough, Normal, Light, Express Wash, Rinse Only
Cycle Options	6
Energy Guide	270 (kWh/year) (E Star)
Warranty	One Year Parts and Labor
Electrical	15 or 20 Amp, 120 V, 60 Hz, AC only.

FEATURES:

Stamped Metal Body, Authentic chrome or stainless trim, Whisper Quiet® Plus (46 dBA) Sound Reduction, Stainless Steel Interior, Hard food disposer, 3 Racks, Energy Star Qualified

* Measured from the lowest point on the underside of countertop.

** Minimum, measured from narrowest point of opening.



Total Capacity	18.5 cu. ft.
Refrigerator Capacity	12.9 cu. ft.
Freezer Capacity	5.6 cu. ft.
Clearance: Back	1/2"
Clearance: Side	1/4"
Side Clearance for door to open 90°	3 1/2"
Adjustable Rollers	Standard
Energy Guide (kWh/year)	448 (E Star)
Electrical	115V, 60Hz, AC only, 15 or 20 amp fused

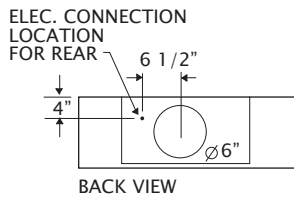
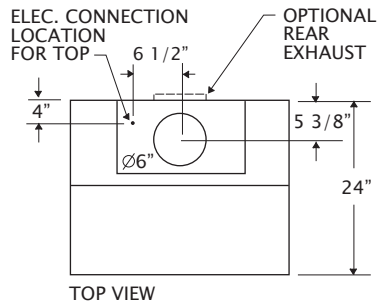
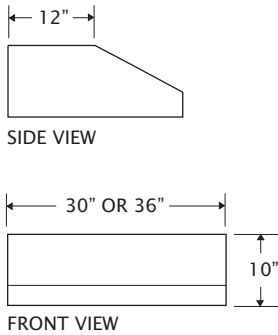
FEATURES:

Stamped Metal Body, Chrome Trim, Energy Star Rated, Gallon Door Storage, 2 Half-Width Clear Crisper Drawers, Four Half-Width Adjustable Glass Shelves, Temperature Management System, Slide-Out Upper Freezer Basket, Glide-Out Freezer Basket with Organizer, Optional Ice Maker, Available Left Hand Hinge, One Year Parts and Labor Warranty

PRO HOOD FEATURES AND SPECIFICATIONS

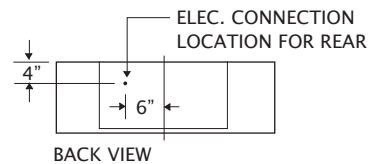
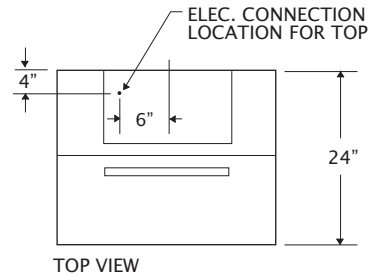
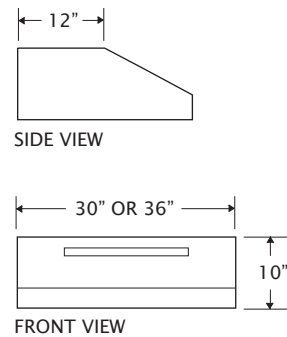
10" PRO Hood

MODEL:
BCH3010-PRO (30")
BCH3610-PRO (36")



10" PRO Hood RECIRCULATING

MODEL:
BCH3010R-PRO (30")
BCH3610R-PRO (36")



Dimensions	10"H x 30" or 36"W x 24"D
Vent	External, Reversible top or rear exhaust.
Blower	600 CFM
Electrical	120 VAC, 15 Amps

Dimensions	10"H x 30" or 36"W x 24"D
Vent	Recirculating
Blower	520 CFM
Electrical	120 V, 15 Amps

FEATURES:

Commercial grade 18 gauge 300 stainless steel construction, Welded seamless corners, Dishwasher safe stainless steel baffle filters, Variable blower control, Halogen lamps with dimmer control, Largest filtered capture in the industry

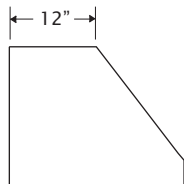
INSTALL NOTES: Allow 30"-36" between stove top and bottom of range hood (or per your local city codes).



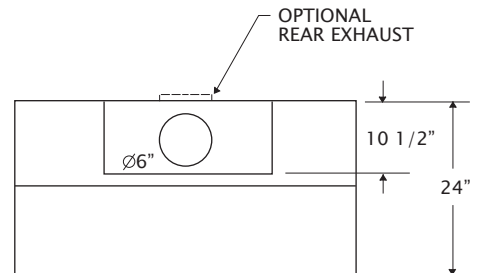
PRO HOOD FEATURES AND SPECIFICATIONS

18" x 48" PRO Hood

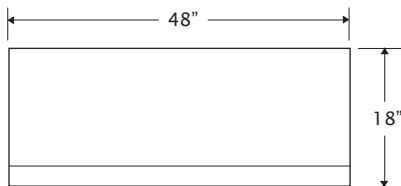
MODEL:
BC-PRO48HOOD



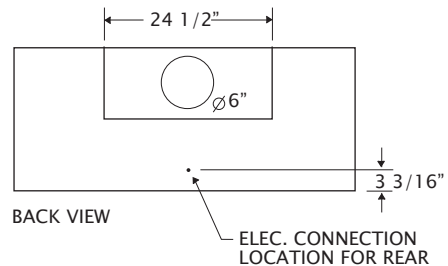
SIDE VIEW



TOP VIEW



FRONT VIEW



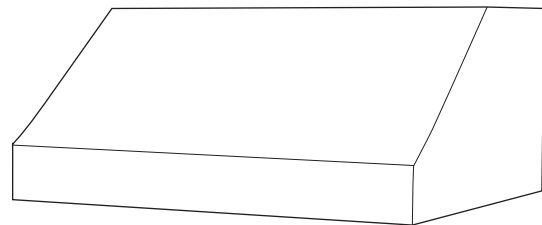
BACK VIEW

Dimensions	18"H x 48"W x 24"D
Vent	External, Reversible top or rear exhaust.
Blower	600 CFM
Electrical	120 VAC, 15 Amps

FEATURES:

Commercial grade 16 gauge 300 stainless steel construction, Welded seamless corners, Dishwasher safe stainless steel baffle filters, Variable blower control, Halogen lamps with dimmer control, Largest filtered capture in the industry

INSTALL NOTES: Allow 30"-36" between stove top and bottom of range hood (or per your local city codes).





TOLL FREE: 1-877-842-3269

EMAIL: info@bigchill.com

WEB: www.bigchill.com

MODEL	DESCRIPTION	RETAIL
-------	-------------	--------

RANGES / HOODS		
-----------------------	--	--

BCS30-PRO*	30" All Gas Pro-Style Freestanding Range (29 7/8"W x 37 3/4"H x 28"D)	\$2795
BCS36-PRO*	36" All Gas Pro-Style Freestanding Range (35 15/16"W x 37 3/4"H x 28"D)	\$3295
BCS48-PRO*	48" All Gas Pro-Style Freestanding Range (47 15/16"W x 37 3/4"H x 28"D)	\$5495
6" Backguard	30" / 36" / 48" backguard (6"H)	\$360

*Ranges available in Natural Gas (NG) or Propane (LPG).

BCH3010-PRO	30" Pro-Style Hood (30"W x 10"H x 24"D). 600 CFM blower included.	\$1495
BCH3010R-PRO	30" Recirculating Pro-Style Hood (30"W x 10"H x 24"D). 500 CFM blower included.	\$1795
BCH3610-PRO	36" Pro-Style Hood (36"W x 10"H x 24"D). 600 CFM blower included	\$1895
BCH3610R-PRO	36" Recirculating Pro-Style Hood (36"W x 10"H x 24"D). 500 CFM blower included.	\$1995
BC-PRO48HOOD	48" Pro-Style Hood (48"W x 18"H x 24"D). 600 CFM blower included	\$2795

COLOR OPTIONS FOR RANGES / HOODS:		
--	--	--

White (WT), Matte Black (MB), French Blue (FB), Cherry Red (CR), Cabernet (CA), Sunflower Yellow (SY), Basil Green (BG), Orange (OR), Cream (CM), Slate (SL), Stone Grey (SG), Stainless Steel (SS)	\$0
---	-----

Custom RAL Color (CC)- Ranges	\$400
Custom RAL Color (CC)-Hoods	\$150

REFRIGERATORS		
----------------------	--	--

19BF-PRO	18.5 cu.ft. Bottom Freezer Refrigerator (30"W x 66"H x 31"D)	\$3595
----------	--	--------

COLOR OPTIONS FOR REFRIGERATORS:		
---	--	--

White (WT), Matte Black (MB), French Blue (FB), Cherry Red (CR), Cabernet (CA), Sunflower Yellow (SY), Basil Green (BG), Orange (OR), Cream (CM), Slate (SL), Stone Grey (SG), Stainless Steel (SS)	\$0
---	-----

Custom RAL Color (CC)	\$400
-----------------------	-------

OPTIONS FOR REFRIGERATORS:		
-----------------------------------	--	--

ICE	Factory Installed Ice Maker	\$195
LEFT HANDLE	Left Handle / Hinge Right (Standard)	\$0
RIGHT HANDLE	Right Handle / Hinge Left	\$0

DISHWASHERS		
--------------------	--	--

DW24-PRO	24" Dishwasher, Stainless Steel Tub, Panel included.	\$1895
DWP24-PRO*	Panel Only	\$525

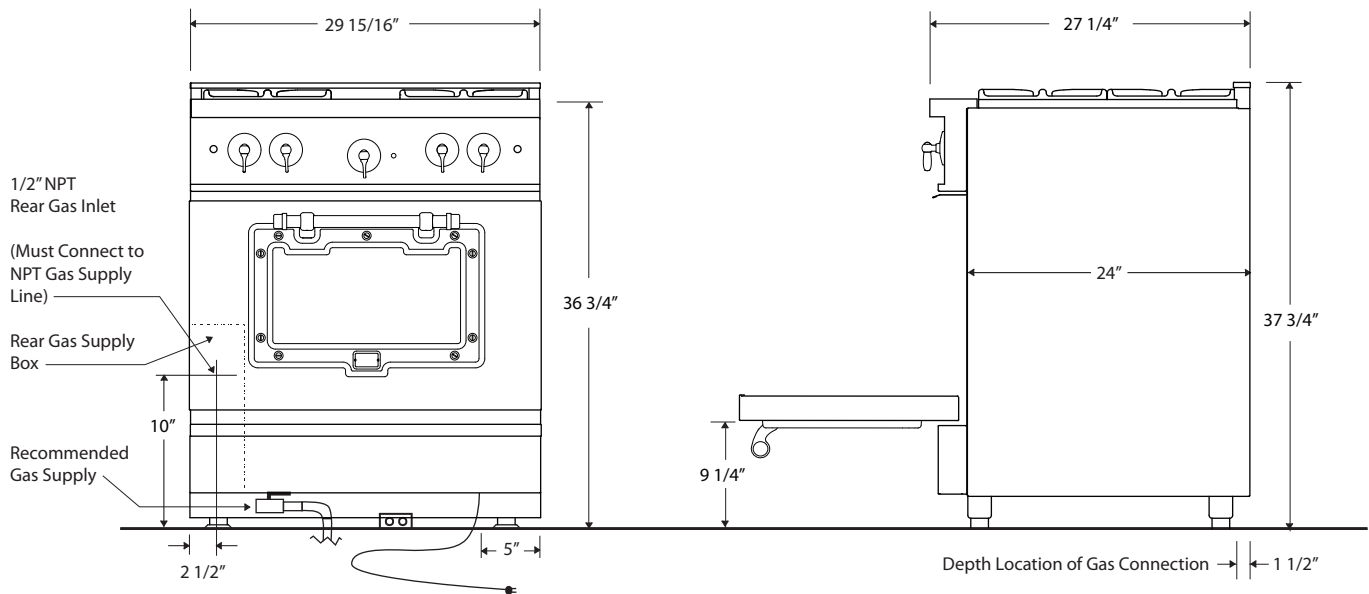
*Our dishwasher panel is designed to fit KitchenAid Fully Integrated dishwashers. Other brands may fit our panel as well.

COLOR OPTIONS FOR DISHWASHERS:		
---------------------------------------	--	--

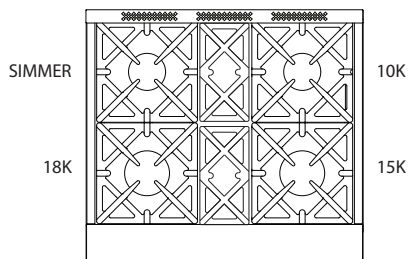
White (WT), Matte Black (MB), French Blue (FB), Cherry Red (CR), Cabernet (CA), Sunflower Yellow (SY), Basil Green (BG), Orange (OR), Cream (CM), Slate (SL), Stone Grey (SG), Stainless Steel (SS)	\$0
---	-----

Custom RAL Color (CC)	\$150
-----------------------	-------

30" CLASSIC RANGE FEATURES AND SPECIFICATIONS



Front Burners	15–18,000 BTU	*Easy to clean Sealed Burner Top
Back Left Burner (Simmer)	6,000 BTU	*Automatic electronic ignition and re-ignition system
Back Right Burner	10,000 BTU	*24" depth for compatibility with standard kitchen cabinetry
Infrared Broiler Rating	15,000 BTU	*Convection fan
Oven Burner Rating	30,000 BTU	*Full Extension oven rack
Electrical Requirements	120 VAC, 15 Amps,	*Heavy-duty, commercial stainless steel construction
*(Unit must be on a non-GFI, dedicated outlet)	Single Phase	*1 year parts and labor warranty
Operating Gas Pressure	NAT: 5.0" WC LP: 10.0" WC	OVEN CAPACITY:
Install Clearance:	0" Side Cabinet 0" Back Wall 6" Side Wall	The cavity design of the oven provides the most precise temperature control, which delivers even heat distribution resulting in versatile performance. It has the largest oven capacity available on a 30" range and will accommodate a full-size commercial 18" x 26" baking sheet.



INFRARED BROILER:

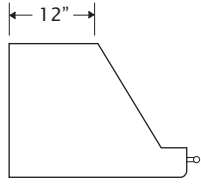
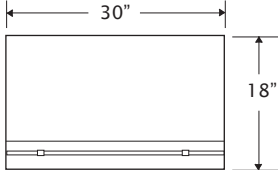
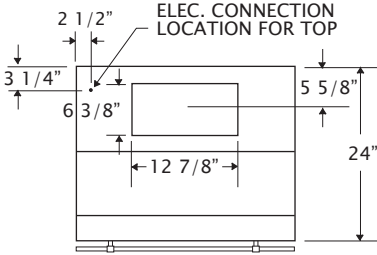
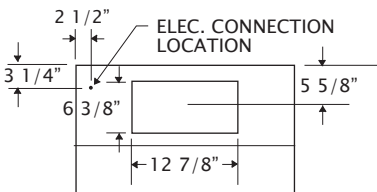
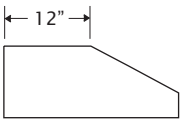
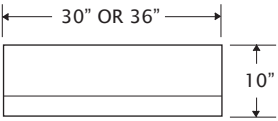
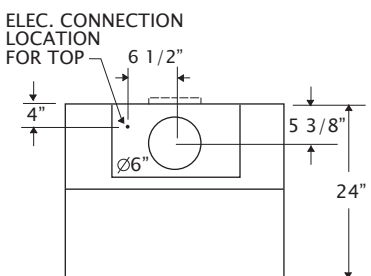
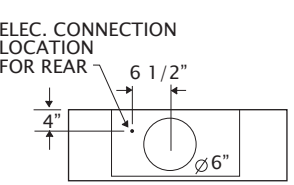
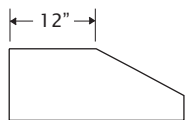
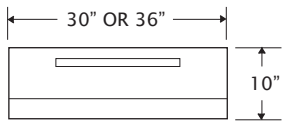
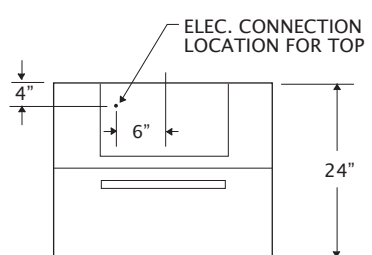
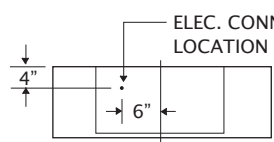
Because of its popularity in the commercial market, the direct-fired ceramic infrared broiler is standard on all residential ranges. The large burner produces 1850 F of intense, searing heat close to the burner, while effecting a gentler broiling for foods placed farther away. The broiler is fully recessed into the oven's top to create maximum cooking space.

FULL MOTION GRATES:

Bring sauce to a boil while stirring on a front burner, then slide it to the rear to simmer while you saute up front! Our full motion grates allow you to easily reposition pots and pans from front to rear burners without lifting. The grates are also oversized to accommodate the largest stock pots and saute pans.



CLASSIC RANGE HOOD FEATURES AND SPECIFICATIONS

1900 Series Hood	10" Hood	10" Hood—RECIRCULATING			
<p style="text-align: right; font-size: small;">MODELS: (BCH3018)</p>  <p style="text-align: center; font-size: x-small;">SIDE VIEW</p>  <p style="text-align: center; font-size: x-small;">FRONT VIEW</p>  <p style="text-align: center; font-size: x-small;">TOP VIEW</p>  <p style="text-align: center; font-size: x-small;">BACK VIEW</p>	<p style="text-align: right; font-size: small;">MODELS: (BCH3010) (BCH3610)</p>  <p style="text-align: center; font-size: x-small;">SIDE VIEW</p>  <p style="text-align: center; font-size: x-small;">FRONT VIEW</p>  <p style="text-align: center; font-size: x-small;">TOP VIEW</p>  <p style="text-align: center; font-size: x-small;">BACK VIEW</p>	<p style="text-align: right; font-size: small;">MODELS: (BCH3010R)</p>  <p style="text-align: center; font-size: x-small;">SIDE VIEW</p>  <p style="text-align: center; font-size: x-small;">FRONT VIEW</p>  <p style="text-align: center; font-size: x-small;">TOP VIEW</p>  <p style="text-align: center; font-size: x-small;">BACK VIEW</p>			
Dimensions	18\"H x 30\"W x 24\"D	Dimensions	10\"H x 30\"W x 24\"D	Dimensions	10\"H x 30\"W x 24\"D
Vent	External, Reversible top or rear exhaust.	Vent	External, Reversible top or rear exhaust.	Vent	Recirculating
Blower	600 CFM/ 3-Speed	Blower	600 CFM/ Variable Speed	Blower	520 CFM/ Variable Speed
Electrical	120 VAC, 15 Amps	Electrical	120 VAC, 15 Amps	Electrical	120 VAC, 15 Amps

FEATURES:

Commercial grade 18 gauge 300 stainless steel construction, Welded seamless corners, Dishwasher safe stainless steel baffle filters, Variable or 3-speed blower control, Halogen lamps with dimmer control, Largest filtered capture in the industry

INSTALL NOTES:

Allow 30"–36" between stove top and bottom of range hood (or per your local city codes).



TOLL FREE: 1-877-842-3269

EMAIL: info@bigchill.com

WEB: www.bigchill.com