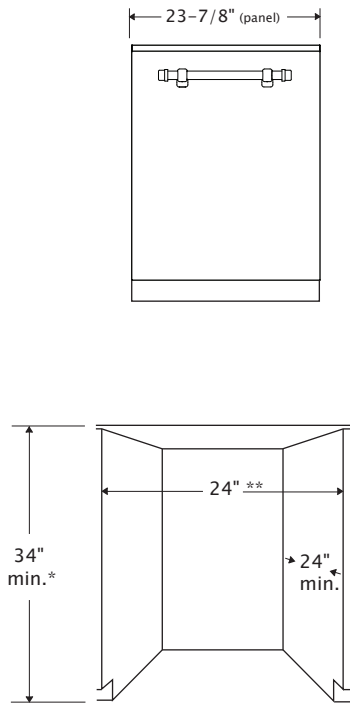


CLASSIC FEATURES AND SPECIFICATIONS

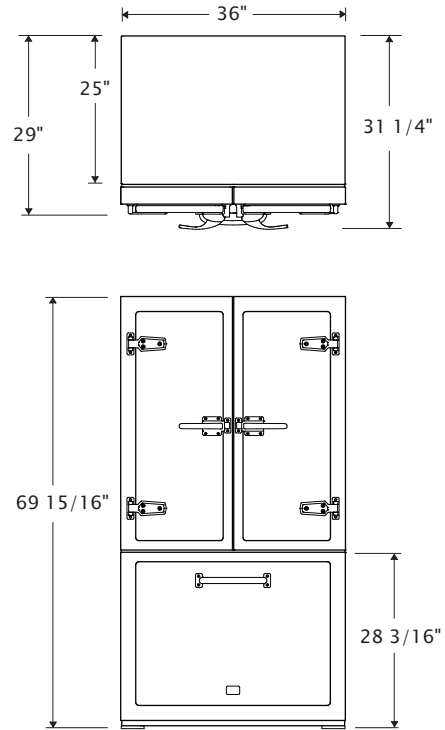
24" CLASSIC DISHWASHER

MODEL:
DW24-CLA



36" CLASSIC REFRIGERATOR

MODEL:
22BF-CLA



Capacity	14 Place Settings
Cycles	6
Cycles	Tough, Normal, Light, Express Wash, Rinse Only
Cycle Options	6
Energy Guide	270 (kWh/year) (E Star)
Warranty	One Year Parts and Labor
Electrical	15 or 20 Amp, 120 V, 60 Hz, AC only.

FEATURES:

Stamped Metal Body, Authentic chrome, brass or satin nickel trim,
Whisper Quiet® Plus (46 dBA) Sound Reduction, Stainless Steel Interior,
Hard food disposer, 3 Racks, Energy Star Qualified



* Measured from the lowest point on the underside of countertop.

** Minimum, measured from narrowest point of opening.

Big Chill

Total Capacity	22.3 cu. ft.
Refrigerator Capacity	13.3cu. ft.
Freezer Capacity	6.56 cu. ft.
Clearance: Back	1/2"
Clearance: Side	1/4"
Side Clearance for door to open 90°	4 1/2"
Adjustable Rollers	Standard
Energy Guide (kWh/year)	566 (E Star)
Warranty	One Year Parts and Labor
Electrical	120V, 60Hz, AC only, 15 or 20 amp fused

FEATURES:

Stamped Metal Body, Authentic chrome, brass or satin nickel trim, Duo
cycle cooling, Gallon Door Storage, 2 Half-Width Clear Crisper Drawers,
Four Half-Width Adjustable Glass Shelves, Internal water dispenser,
Ice maker, Interior LED lighting, Digital temperature management System,
Slide-Out Upper Freezer Basket, Glide-Out Freezer Basket with Organizer,
Energy Star Qualified

