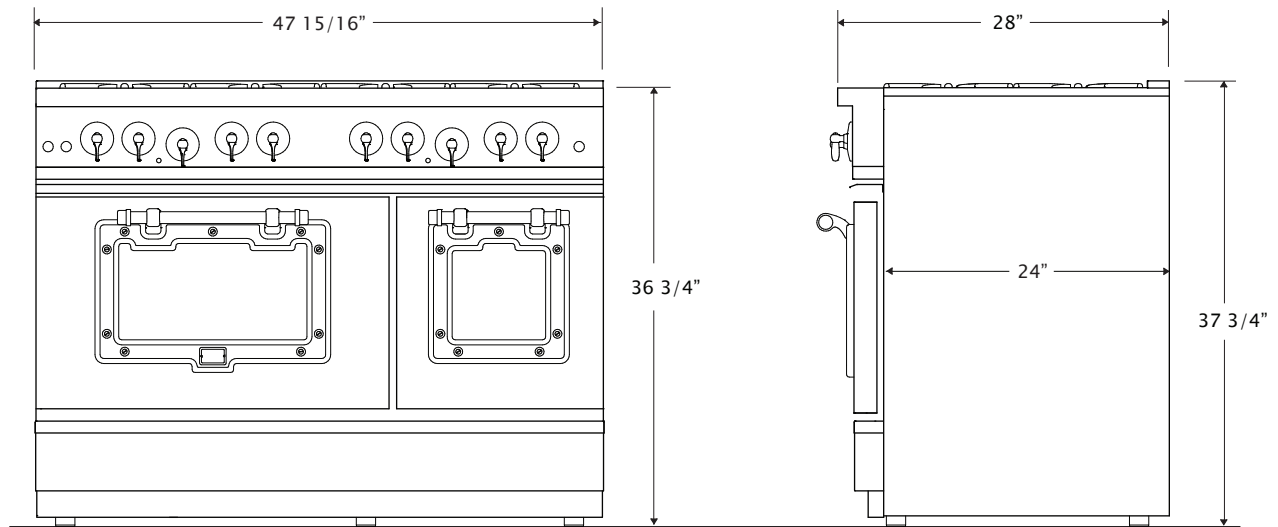


48" CLASSIC GAS RANGE FEATURES AND SPECIFICATIONS

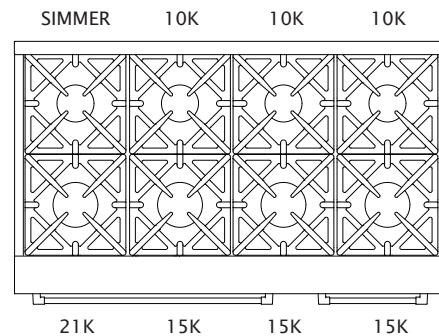


| | |
|--|-------------------|
| Front Burners | 15,000–21,000 BTU |
| Back Left Burner (Simmer) | 6,000 BTU |
| Back Burners | 6,000–10,000 BTU |
| Infrared Broiler Rating | 15,000 BTU |
| Oven Burner Rating | 30,000 BTU |
| Electrical Requirements | 120 VAC, 15 Amps, |
| *(Unit must be on a non-GFI, dedicated outlet) | Single Phase |

- *Easy to clean Sealed Burner Top
- *Automatic electronic ignition and re-ignition system
- *24" depth for compatibility with standard kitchen cabinetry
- *Convection fan
- *Full Extension oven rack
- *Heavy-duty, commercial stainless steel construction
- *1 Year Parts and Labor Warranty

| | |
|------------------------|--------------|
| Operating Gas Pressure | NAT: 5.0" WC |
| | LP: 10.0" WC |

| | |
|--------------------|-----------------|
| Install Clearance: | 0" Side Cabinet |
| | 0" Back Wall |
| | 6" Side Wall |



TEL: 1-877-842-3269

EMAIL: sales@bigchill.com

WEB: www.bigchill.com