

Best in present-day professional performance and contemporary design. Crisp, modern lines, silver trim, and bold colors make functionality feel fabulous. This counter depth, French door, Pro fridge radiates sleek style and adds fresh harmony to any kitchen.

PRODUCT FEATURES

- 19.86 cubic feet capacity
- Duo-cycle cooling
- Counter-depth sizing
- Gallon-door storage
- Two half-width clear crisper drawers
- Four half-width adjustable glass shelves
- Internal water dispenser
- Ice maker
- Interior LED lighting
- Digital temperature-management system
- Glide-out freezer basket with organizer
- Energy Star certified
- One year parts and labor warranty
- Designed in Boulder, CO
- Assembled in the USA

SPECIFICATIONS

Standard Dimensions:	35 3/4"w x 26 3/16"d x 69 3/4"h
Overall Capacity:	19.86 cu. ft.
Refrigerator Capacity:	13.30 cu. ft.
Freezer Capacity:	6.56 cu. ft.
Electrical Requirements:	120V, 60Hz
Electronic Control	
Crispers:	2
Door Bins:	6

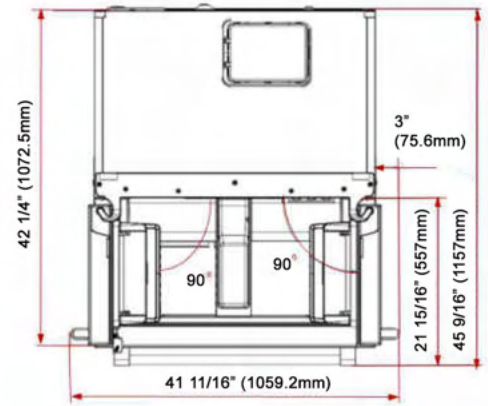
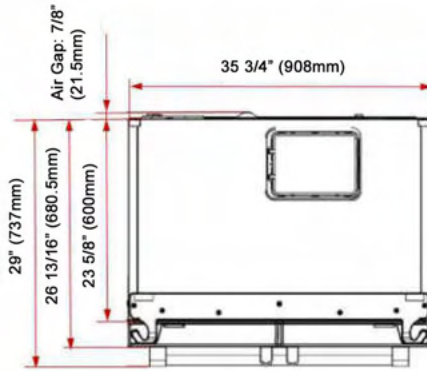
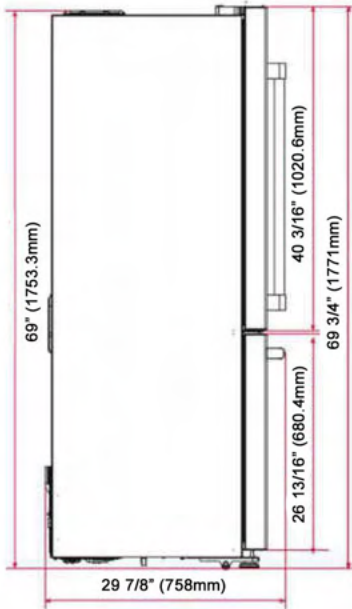
MODEL CONFIGURATION

36" PRO Refrigerator/Freezer

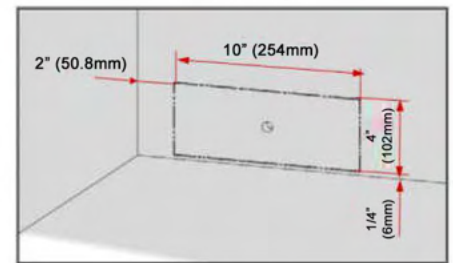
BC22BFP



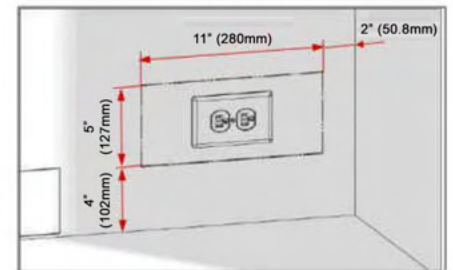
Model: BC22BFP



Plumbing



Electrical



DIMENSIONS: BC22BFP

Height to top of door:	69 3/4"
Height to top of hinge:	69 3/4"
Height to top of case:	69"
Case depth without door:	23 5/8"
Case depth less door handle:	26 13/16"
Case depth with door handle:	29"
Depth with fresh door open 90°:	45 9/16"
Width:	35 3/4"
Width with door open 90° including door handle:	41 11/16"

AIR GAP CLEARANCES:

Side: 1/8"	Top: 1"	Back: 7/8"
------------	---------	------------