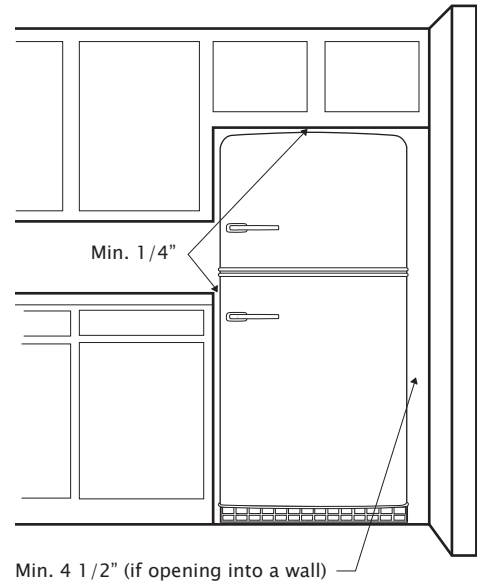
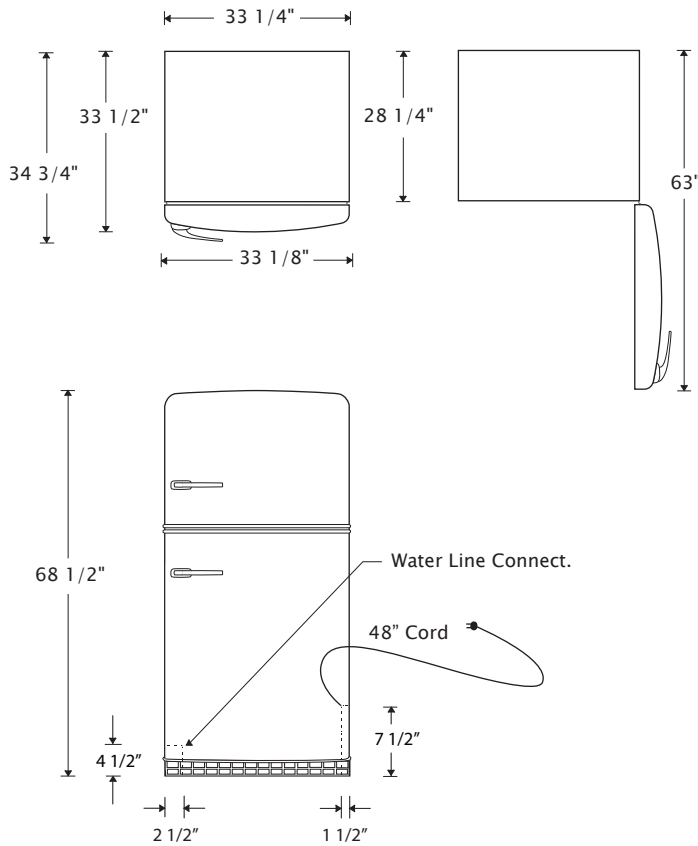


REFRIGERATOR FEATURES AND SPECIFICATIONS

ORIGINAL SIZE



Total Capacity	20.5 cu. ft.
Refrigerator Capacity	14.4 cu. ft.
Freezer Capacity	6.2 cu. ft.
Clearance: Back	1/2"
Clearance: Side	1/4"
Side Clearance for door to open 90°	4 1/2"
Adjustable Rollers	Standard
Energy Guide (kWh/year)	436
Electrical	115V, 60Hz, AC only, 15 or 20 amp fused
Shipping Weight	400 lbs

FEATURES:

Stamped Metal Body, Chrome Trim, 2 Half-Width Clear Crisper Drawers, Gallon Door Storage, 1 Fixed Full-Width Freezer Shelf, 3 Easy-Clean Spill-Proof Glass Shelves, LED Interior Lighting, Optional Ice Maker, Available Left Hand Hinge



WEB: bigchill.com

EMAIL: sales@bigchill.com

PH: 877-842-3269