

Big Chill Pro Ranges blend modern styling with sophisticated colors in this exquisite collection. The induction cooktop offers efficient and precise control, a power booster function, pan detection technology, and advanced safety features. The oven's oversized capacity is perfect for meal prep and entertaining.

PRODUCT FEATURES

Advanced Induction Cooktop

- Four cooktop induction zones that automatically adjust to the size of the pan
- Nine heat settings on each cooktop burner
- "Power Boost" function that boils a gallon of water in less 5 minutes
- "Heat Accelerator" function to kickstart the cooking process on all cooking zones
- "Keep Warm" function allows two levels of even low temperatures
- "Knob Lock" function (Knob can be electronically locked)
- Pan-detection technology; unit won't start unless a pan is on the unit
- Hot-surface indicator light to indicate when it's safe to touch

Oversized Electric Convection Oven

- Five selectable cooking modes: Bake, Convection Bake, Fast Preheat, Broil & Convection Broil
- Powerful 2500 Watt top and bottom heating elements
- Easy to clean cavity

SPECIFICATIONS

Overall Dimensions: 29.875"W x 24"D x 36.75"H

Oven Interior: 26.438"W x 20"D x 16 5/8"H

Front Left Burner: 1,850 Watts / 3,000 Watt Boost

Back Left Burner: 1,850 Watts / 3,000 Watt Boost

Front Right Burner: 1,400 Watts / 2,200 Watt Boost

Back Right Burner: 2,300 Watts / 3,700 Watt Boost

Bake Element: 2,500 Watts

Broil Element: 2,500 Watts

Electrical Requirements: 240VAC, 60Hz, 50 AMPS, 1PH



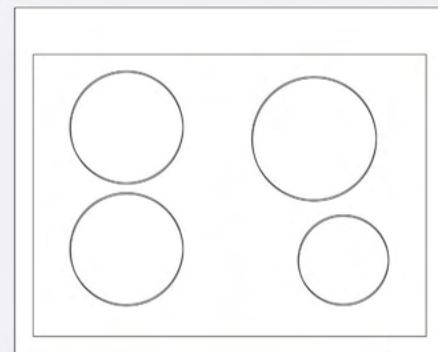
MODEL CONFIGURATION

4 Burners

BCPI30

BURNER CONFIGURATION

1,850 W	2,300 W
3,000 W Boost	3,700 W Boost
7 7/8" Diameter	8 5/8" Diameter

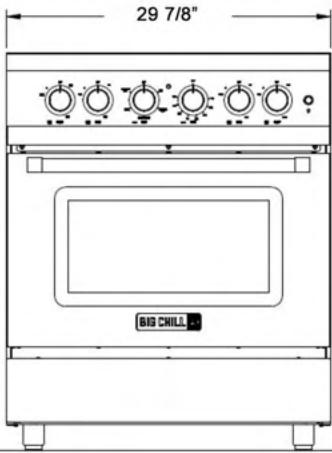


1,850 W	1,400 W
3,000 W Boost	2,200 W Boost
7 7/8" Diameter	6 1/4" Diameter

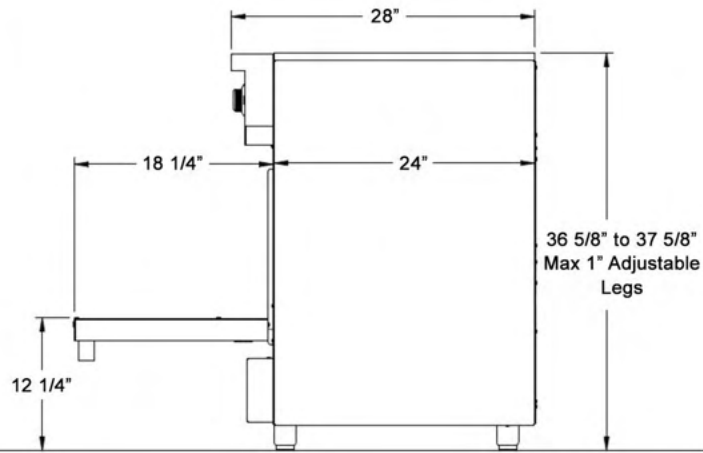
- Commercial-grade stainless-steel construction
- One year parts and labor warranty
- Designed in Boulder, CO / Assembled in the USA

All specifications subject to change with out notice

FRONT VIEW



SIDE VIEW



BACK VIEW

