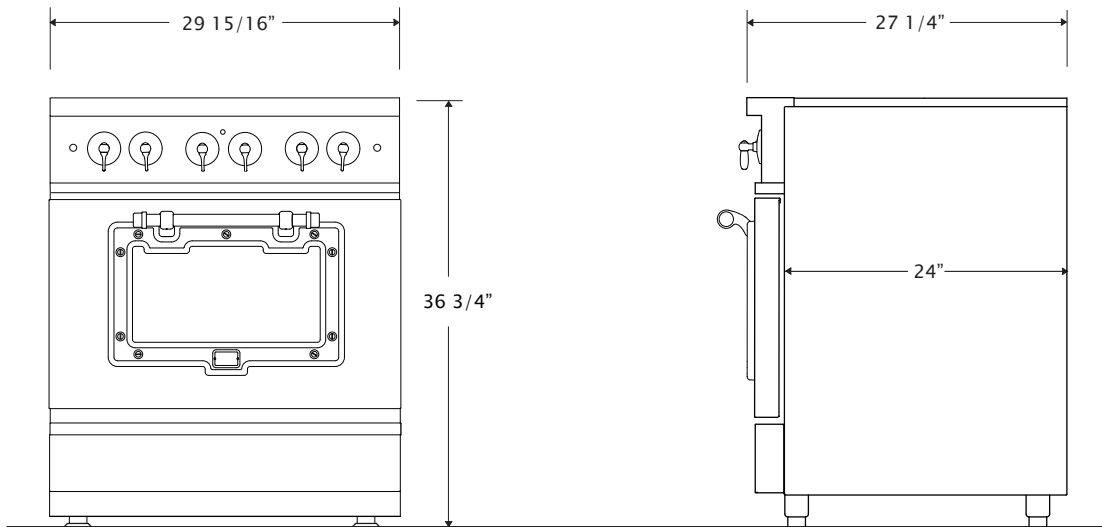


30" CLASSIC INDUCTION RANGE FEATURES AND SPECIFICATIONS



Front Left Burner	3000 Watts
Front Right Burner	2200 Watts
Back Left Burner	3000 Watts
Back Right Burner	3700 Watts
Broiler Element	2500 Watts
Oven Bake Element	2500 Watts
Oven Capacity	4 cu.ft.
Electrical Requirements	240 Volt, 60 Hertz,
*(Unit must be on a non-GFI, dedicated outlet)	50 Amp, Single Phase

- *Easy to clean Sealed Burner Top
- *Automatic electronic ignition and re-ignition system
- *24" depth for compatibility with standard kitchen cabinetry
- *Convection fan
- *Full Extension oven rack
- *Heavy-duty, commercial stainless steel construction
- *1 Year Parts and Labor Warranty

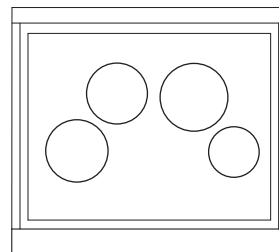
Install Clearance:	0" Side Cabinet
	0" Back Wall
	0" Side Wall

7.9" Diameter
3000 W

7.9" Diameter
3000 W

8.6" Diameter
3700 W

6.3" Diameter
2200 W



TEL: 1-877-842-3269

EMAIL: sales@bigchill.com

WEB: www.bigchill.com