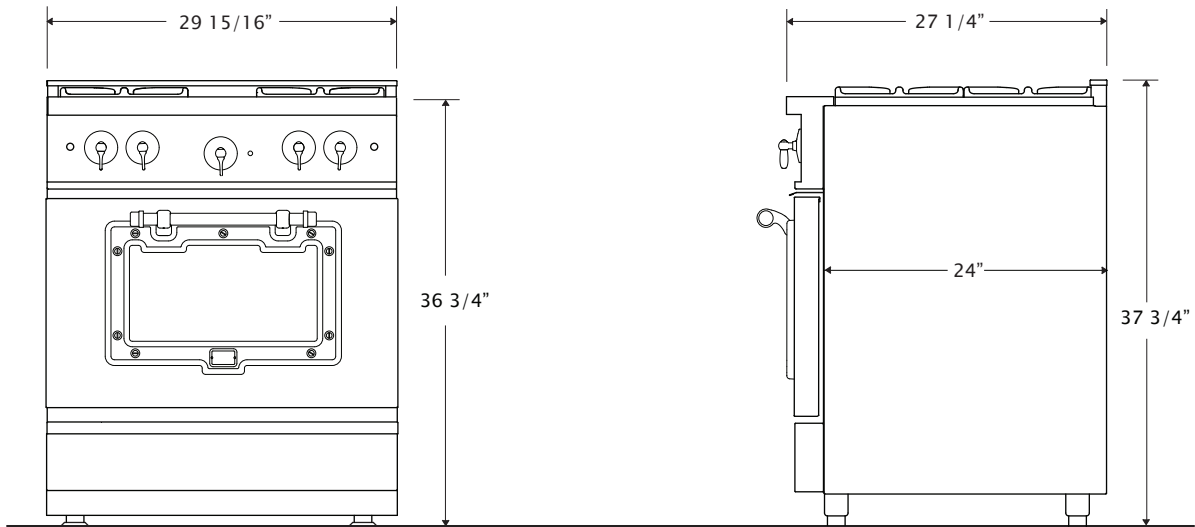


30" CLASSIC GAS RANGE FEATURES AND SPECIFICATIONS



Front Burners	15-18,000 BTU	*Easy to clean Sealed Burner Top
Back Left Burner (Simmer)	6,000 BTU	*Automatic electronic ignition and re-ignition system
Back Right Burner	10,000 BTU	*24" depth for compatibility with standard kitchen cabinetry
Infrared Broiler Rating	15,000 BTU	*Convection fan
Oven Burner Rating	30,000 BTU	*Full Extension oven rack
Electrical Requirements	120 VAC, 15 Amps,	*Heavy-duty, commercial stainless steel construction
*(Unit must be on a non-GFI, dedicated outlet)	Single Phase	*1 Year Parts and Labor Warranty
Shipping Weight	400 lbs	
Operating Gas Pressure	NAT: 5.0" WC	
	LP: 10.0" WC	
Install Clearance:	0" Side Cabinet	
	0" Back Wall	
	6" Side Wall	



TEL: 1-877-842-3269

EMAIL: sales@bigchill.com

WEB: www.bigchill.com