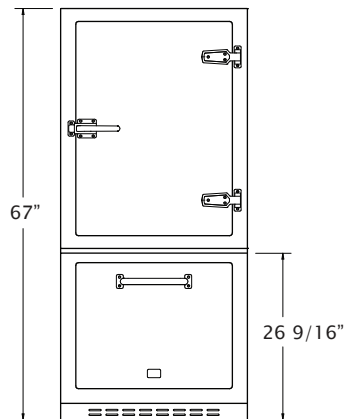
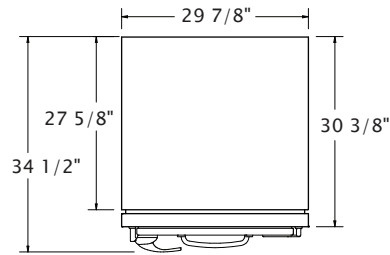


CLASSIC FEATURES AND SPECIFICATIONS

30" CLASSIC REFRIGERATOR

MODEL:
19BF-CLA



Total Capacity	18.7 cu. ft.
Refrigerator Capacity	13 cu. ft.
Freezer Capacity	5.7 cu. ft.
Clearance: Back	1/2"
Clearance: Side	1/4"
Side Clearance for door to open 90°	4 1/2"
Adjustable Rollers	Standard
Energy Guide (kWh/year)	553
Warranty	1 Year Parts and Labor Warranty
Electrical	115V, 60Hz, AC only, 15 or 20 amp fused

FEATURES:

Stamped Metal Body, Authentic Chrome, Brass, Copper or Satin Nickel Trim, Temperature Management System, Gallon Door Storage,
2 Half-Width Clear Crisper Drawers, Four Half-Width Adjustable Glass Shelves, Ice maker, Slide-Out Upper Freezer Basket,

Glide-Out Freezer Basket with Organizer, Available Left Hand Hinge

