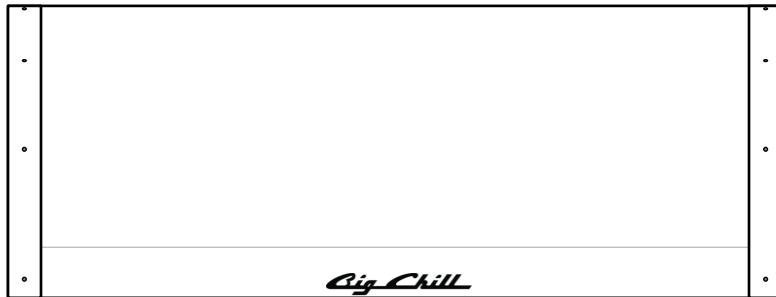
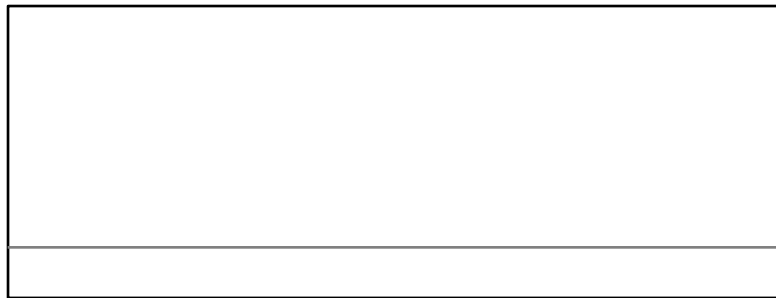
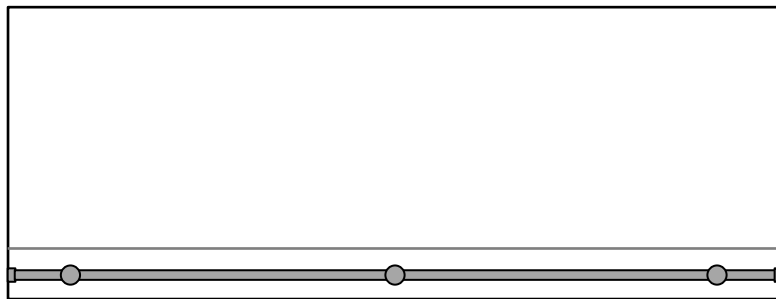




USER MANUAL: INSTALLATION AND USE & CARE

Ventilation Hood Classic, Pro, and Retro Styles



Models: BCCH**18*, BCPH4818*, BCRH**18*

Please take a few moments now to fill in the information below for your future reference in the event you require parts or service.

DATE OF PURCHASE:

DEALER'S NAME:

DEALER'S ADDRESS:

DATE OF INSTALLATION:

INSTALLER'S NAME:

INSTALLER'S ADDRESS:

MODEL NUMBER:

SERIAL NUMBER:

Table of Contents

INSTALLATION INSTRUCTIONS:

- 5 Handling and Unpacking
- 7 Installation of Ducting & Electrical Specifications
- 8 Removing Liner from Hood Shell
- 9 Installing the Blowers
- 10 Mounting Hood Shell to Wall and Reinstalling Liner

USE AND CARE INSTRUCTIONS:

- 12 Operating the Push Button Controls
- 13 Cleaning Instructions
- 15 Warranty

INSTALLATION INSTRUCTIONS

IMPORTANT

1. This appliance was designed for ease of installation and operation. However, we recommend that you read all sections of this manual before you begin installation.
2. Do not remove permanently affixed labels, warnings or data plates from your appliance. This may void the manufacturer's warranty and/or hinder effective servicing and maintenance. These instructions are to remain with the appliance and the consumer is to retain them for future reference.
3. Please observe all local and national build codes and ordinances. If no local codes are applicable, please follow all wiring requirements in accordance with the National Electrical Code.
4. Please check your local codes for any make-up air requirements.
5. This hood is for residential use only and is not designed for installation over a commercial product.

WARNING

To reduce the risk of fire, electric shock or injury observe the following:

- Use this unit in the manner intended by the manufacturer.
- Before cleaning or servicing unit, turn power off to the unit at the service panel.
- Installation work and electrical work must be performed by qualified individuals in accordance with all applicable codes and standards, including fire-rated construction.
- Do not damage any existing electrical or hidden utilities when drilling, cutting and/or removing a wall, ceiling or floor.
- Sufficient air is required to properly exhaust gases through the flue of natural and liquid propane fueled cooking equipment to avoid any backdrafts.
- Use only metal ductwork. Do not use flexible or corrugated duct.
- Never vent ducted exhaust air into another room or garage. Ducted exhaust air must vent outdoors.

INSTALLATION INSTRUCTIONS

WARNING

- If a fire should occur, do not turn on hood to evacuate smoke. Turn off hood.
- Do not use to exhaust hazardous, flammable or explosive materials.
- Clean baffle filters often, since accumulated grease can be a fire hazard and affect the performance of your ventilation hood.

Handling:

- Do not remove the hood from original packaging until you are ready to install.
- Remove all watches, belt buckles, jewelry, rings and any clothing with metal buttons or snaps to prevent damage to the hood.
- When you begin the installation process, remove the hood from its original packaging and place on a clean, non-abrasive blanket.
- When removing the hood from the carton, locate the filters since they could be packed separately.

Unpacking:

- Ensure the container is upright. If the container is not upright, major damage can occur to your appliance.
- Move the container as close to its installation location as possible. This will reduce moving and handling your appliance once it is out of its shipping container.

INSTALLATION INSTRUCTIONS

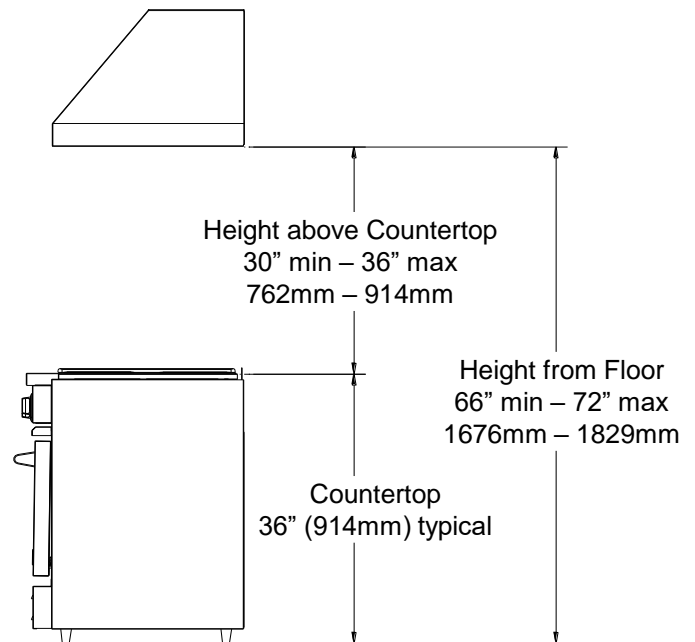
⚠ CAUTION

To reduce the risk of fire and electric shock, install this ventilation unit only with manufacturer approved blowers. Your ventilation hood is designed to work specifically with the integral blower requested.

Site Preparation: Selecting the Appropriate Height for Installation

In selecting the proper height to mount the hood, take into consideration the stature of the person or persons who will be cooking. A minimum height of 30" off the cooking surface to a maximum height of 36" will suit most users.

The bottom of the hood should be 30" minimum to 36" maximum above the countertop. This would typically result in the bottom of the hood being 66" – 72" above the floor. The bottom of the hood should never be more than 72" above the floor or more than 36" above the countertop. These dimensions provide safe and efficient operation of the hood.



INSTALLATION INSTRUCTIONS

Installation of Ducting for Proper Operation:

⚠ WARNING

To reduce the risk of fire, electric shock or injury, observe the following:

- Use only metal ductwork. Do not use flexible or corrugated duct.

Proper installation of ducting is extremely important for optimal performance of your ventilation system. It is a basic requirement that the kitchen is provided with an air intake to ensure good air circulation and, therefore, proper operation of the hood. Without this incoming air, a depression could form that would reduce the efficiency of the ventilation system.

- Be sure to follow local building codes for electrical, structural, general HVAC, and make-up air requirements.
- If duct shape is changed along path (round to square), the cross-sectional area must not be reduced.
- The duct run should be kept under 30 feet for a straight run. For every 90 degree turn in the duct run, subtract 5 feet from the total (25' for a duct run with 1 elbow, 20' for a duct run with 2 elbows, and so on). Longer runs will result in decreased performance and possible noise concerns.
- Avoid sharp-angled turns. Use smooth gradual turns, such as adjustable elbows or 45-degree angled turns.
- Airflow must not be restricted at the end of the duct run.
- A backflow damper is not provided. It should be sourced locally and sized for your specific duct work.
- Duct should terminate to an outdoor space above the roof line or outside a side wall of the building. Do not terminate the run into an attic or chimney.

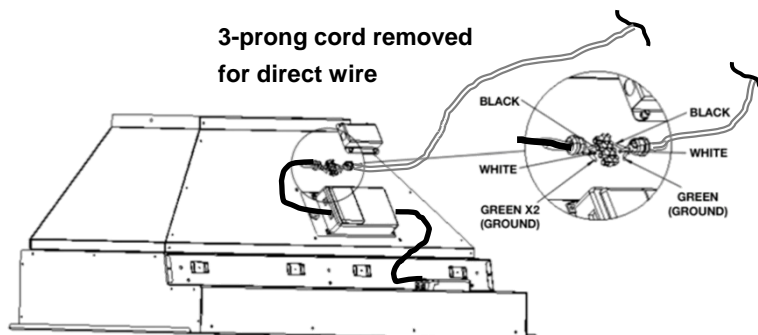
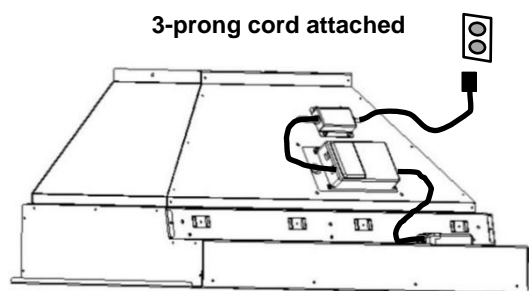
Electrical Specifications:

This hood is designed to be plugged into a dedicated 3-prong ANSI or Non-GFCI outlet – 120Volt, 60Hz, 1Ph, 10amp. min.

Outlet location: Confirm with local building codes for accessibility requirements. The outlet may be positioned above the hood shell to provide access for the cord along the duct exhaust. Ensure the outlet will not be obstructed by the duct work. The power cord will extend up to 36" from the top of the liner.

Depending on specific installation conditions, access to the outlet may be difficult.

If an appropriate outlet is not available or is inconvenient due to the specific installation, the power cord may be removed at the liner's junction box, and the hood may be direct wired to a dedicated non-GFCI 120V, 60Hz, 1Ph, 10amp min circuit. Use 14-2 MC shielded cable or equivalent, unless directed otherwise by local building codes.



INSTALLATION INSTRUCTIONS

Step 1: Read all instructions thoroughly before beginning installation. Please review all steps before beginning – for some installations, the order of assembly may be altered.

Step 2: Remove ventilation hood liner from outer shell. (Figures A through F) – save all components and fasteners as they will be used to reinstall the liner after the hood shell is mounted to the wall.

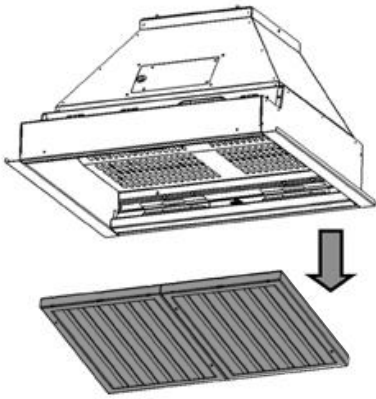


Figure A:

Remove Baffle Filters

Pull filter(s) towards front of hood and tilt rear of filter down to remove.



Figure B:

Remove Rear Filter Holder

Turn wing fastener(s) 1/4 turn to unlock.

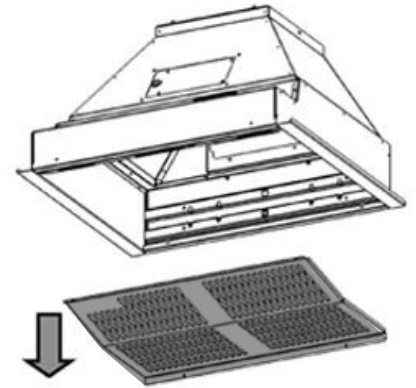


Figure C:

Remove Inner Shield (only on models that require blower installation or discharge reorientation)

Remove Philips screws (front and back) attaching shield to ventilation hood liner.

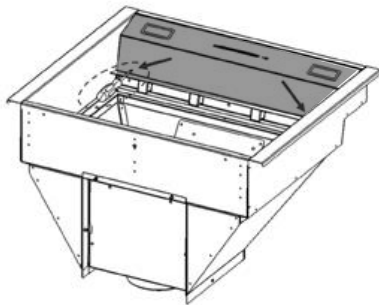


Figure D:

Remove Control Panel

Remove screws attaching panel to ventilation hood liner. Disconnect control and light harnesses.

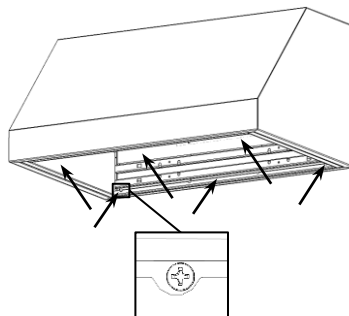


Figure E: Remove Mounting Screws

Remove Philips screws in front and back of liner that attach it to the outer shell. Screws are located behind scalloped detail in flange front and back.

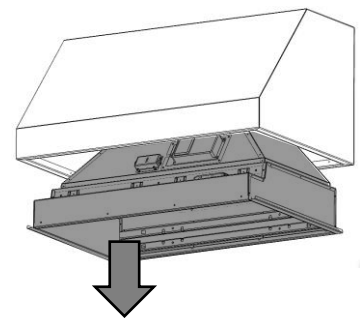


Figure F: Remove Liner from Shell

Carefully slide liner out of outer shell. Remove any protective film from exterior of liner and baffle filters.

INSTALLATION INSTRUCTIONS

Step 3: Install / Set discharge orientation for blower (if not already configured as needed for your application).

Duct connection detail: 6" round at discharge. Recommended duct size: 6" min., 8" max.

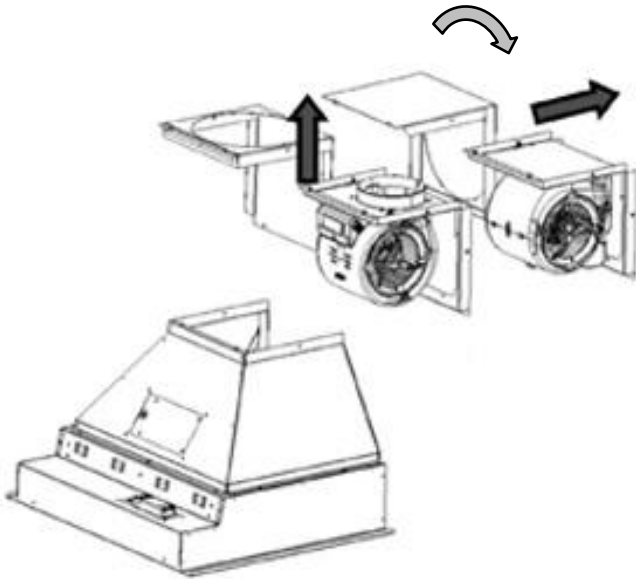


Figure A:

Set Discharge Direction, Attach Blower

Unscrew blower plate and set to top or rear discharge if not already set correctly. Screw blower to plate with included hardware

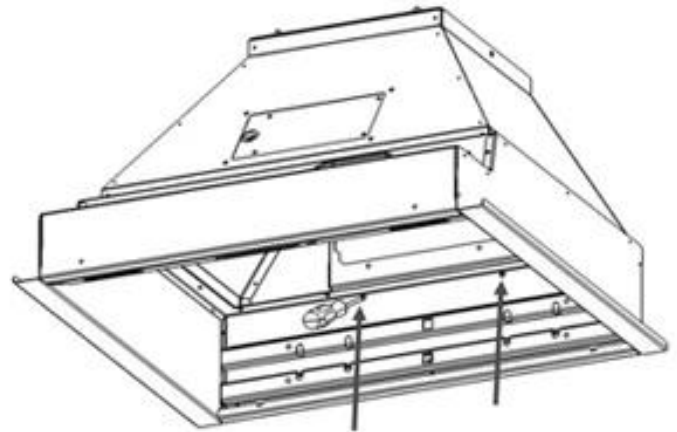


Figure B:

Connect Plate Internally

Re-install all mounting screws inside of liner.

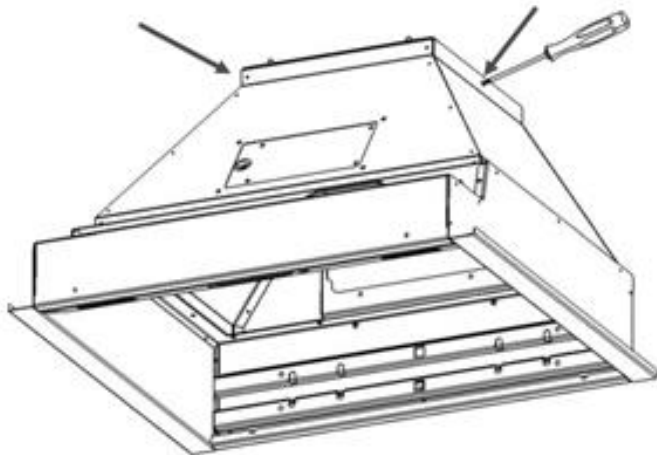


Figure C:

Connect Plate Externally

Re-install all mounting screws outside of liner.

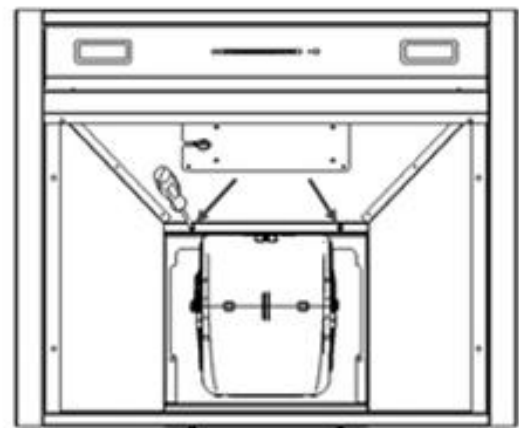


Figure D:

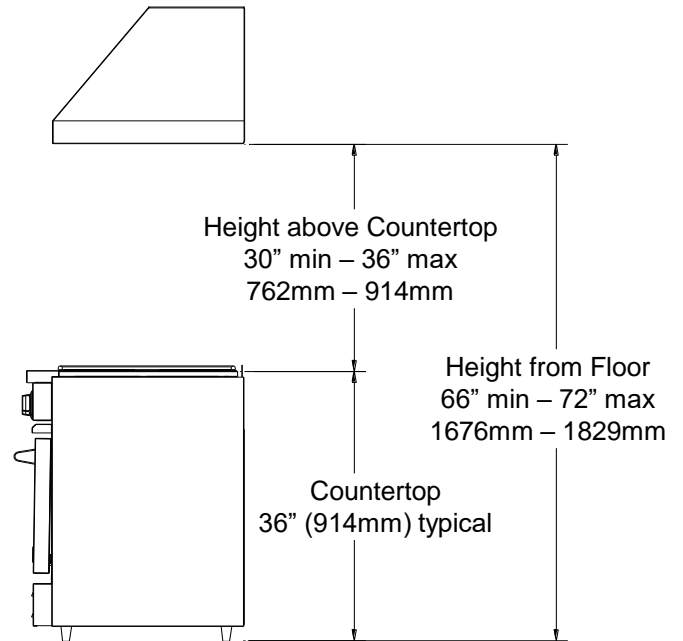
Connect Power Supply

Plug 6-pin connector from one of the control harnesses to blower. Unused harness may be tied securely to other harness to prevent vibration

INSTALLATION INSTRUCTIONS

Step 4. Mount the Outer Hood Shell to the Wall

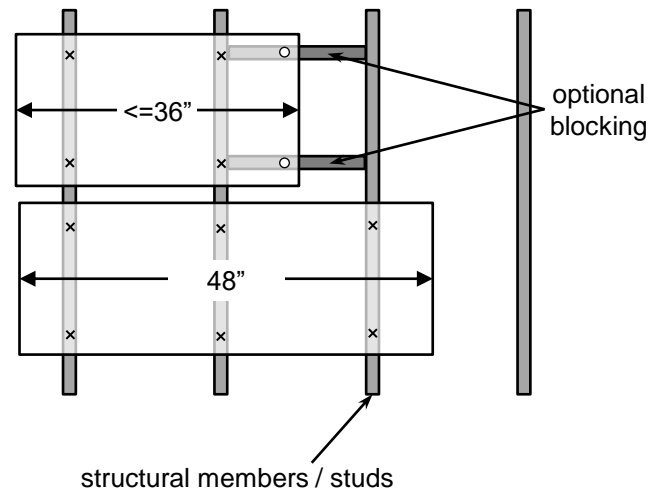
1. The bottom of the hood should be 30" minimum to 36" maximum above the countertop for efficient operation. The hood should be centered over the cooking surface.
2. Measure and mark carefully and locate framing behind the wallboard using a stud finder. Add structural blocking where necessary to ensure hood is attached to the wall securely.
3. In the back of some model's hood shell, there are only a few small oblong slots provided for screws to pass through. If necessary, it is acceptable to drill new holes in the sheet metal back of the hood shell to align with framing behind wallboard.
4. Depending on fastener selected, pre-drilling may be necessary to avoid splitting the framing or blocking.



5. Hardware is not provided with this unit to secure it to the wall. Local building codes take precedence (where applicable). Otherwise, use #12 screws or larger lag screws with a length such that at least 1" of thread is embedded into a structural member (i.e., wood stud or blocking) behind the mounting surface. Be sure to consider the thickness of wallboard (drywall, tile, etc.) when determining appropriate length of fastener. A minimum of 2 screws in the upper portion of the hood, and 2 screws in the lower portion of the hood should be used to ensure the hood is attached securely to the wall.

a. Additional screws should be used for wider hoods:

- 36" wide hoods and smaller:
2 screws upper portion, 2 screws lower portion.
- 48" wide hoods:
3 screws upper portion, 3 screws lower portion.



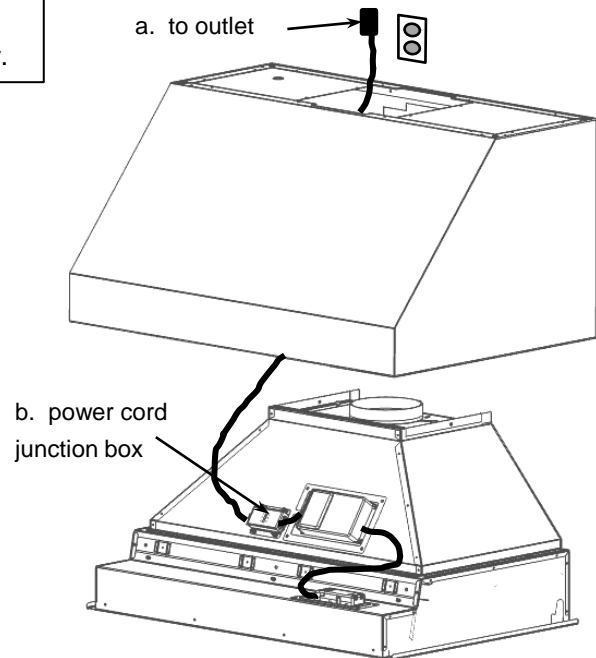
INSTALLATION INSTRUCTIONS

Step 5. Re-install Liner into Outer Shell

⚠ WARNING

Turn off power at the service panel prior to wiring the blower.

1. Connect Electrical Supply (see Electrical Specifications on page 7)
 - a. Route power cord from liner to outlet location and plug in.
 - b. If alternate direct wire method is desired, remove power cord from junction box and connect power supply cable directly in its place being sure to match wire colors appropriately.



2. Complete liner installation by inserting into hood shell (A), driving screws (B), and reinstalling covers and filters removed previously (C).

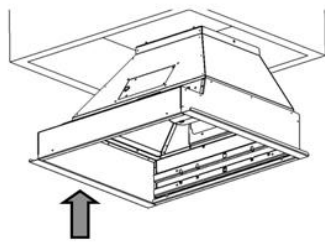


Figure A:
Lift Liner into Shell

Carefully re-install liner to avoid scratches or damage. Ensure cables are dressed carefully to avoid pinching.

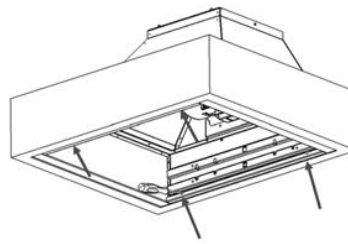


Figure B:
Attach Liner to Shell

Re-install with all the screws removed previously that held the liner to the hood shell during shipment.

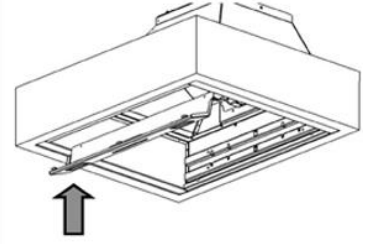


Figure C:
Re-install Control Panel, Screen and Filters

Attach button control harness and light wires. Insert control panel's tabs into slots in front of liner. Drive screws attaching panel to liner.

Install screen and filters.

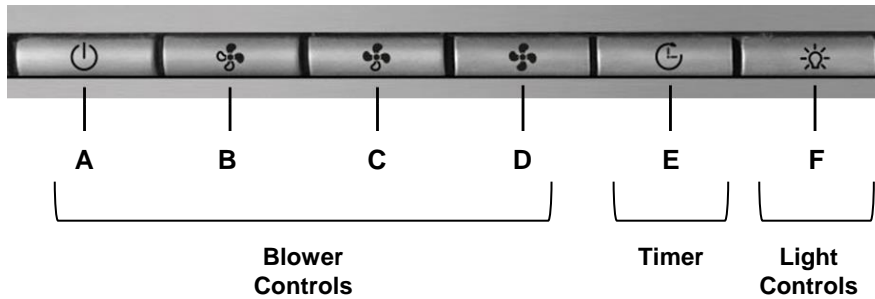
3. If ductwork is already in position, be sure to align properly as liner is inserted.

Step 6. Connect Ducting to Ventilation Hood

Install ducting around starter collar on top or rear of hood and seal according to building code regulations. Be sure to include a back draft damper in the duct work to prevent drafts.

USE & CARE INSTRUCTIONS

Control Panel



Blower Controls:

A – Blower power on, power off, low speed

B – Blower middle speed

C – Blower high speed

D – Blower Boost function*

*After 7 minutes of operation, the blower will automatically move to high speed (C). The Boost icon will blink while active.

Additional Controls:

E – Timer

Pressing button during blower operation will cause blower to run for 15 minutes at its current speed, and then automatically shut off. The timer icon will blink while active.

If timer icon is blinking when the blower is not running, this indicates the filters are due to be cleaned. Clean the filters as directed, then press and hold for 3 seconds to reset the filter clean reminder.

F – Light On/Off plus Dimming Feature

Press and release to turn light on or off. Press and hold to adjust light intensity. Release when light reaches desired intensity. Selected intensity will stay in controller memory until changed.

USE & CARE INSTRUCTIONS

Baffle Filters

IMPORTANT

The function of the baffle filters is the absorption of grease particles that form during cooking. Do not operate ventilation hood without filters in hood. Baffle filters should be examined periodically to assure that the surfaces and parts are clean.

Removing Baffle Filters:

- Hold both handles located on the filter.
- Pull towards front of hood to depress spring.
- Pull back of filter down and away from hood.

Removing Rear Filter Holder:

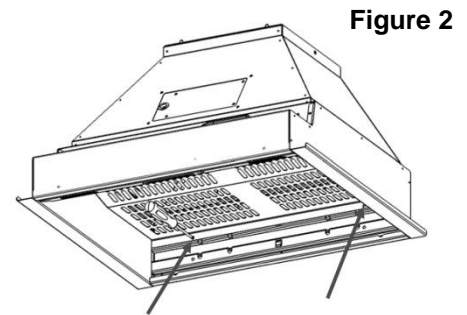
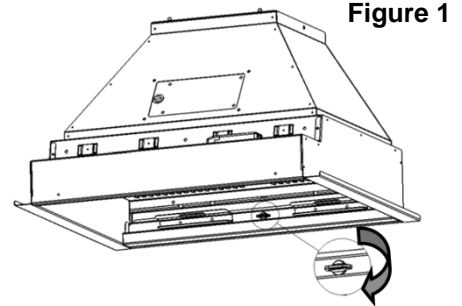
Filter holder is located at base of baffle filters in rear of hood (Figure 1).

- Turn wing fastener(s) $\frac{1}{4}$ turn to release.
- Pull filter holder towards front of hood and remove.

Removing Inner Shield:

Inner shield is located behind baffle filters (Figure 2).

- Remove screws attaching shield to ventilation hood liner.



Cleaning Baffle Filters and Rear Filter Holder:

Baffle filters should be cleaned regularly to prevent grease droplets from forming. The baffle filters are dishwasher safe or can be cleaned in a sink with warm, soapy water. Do not use caustic detergent to clean the filters. Abrasive cleaners may harm or damage the finish. Do not disassemble the baffle filter. Disassembly will void the warranty.

The rear filter holder should be cleaned with dish soap and warm water. Depending on the size of the hood, it may be cumbersome to wash the filter holder in a kitchen sink. Spraying with a grease cutting cleaner for kitchen use and rinsing with a garden hose in an open area may be the easiest way to clean. Be sure to rinse thoroughly and allow to dry completely before reinstalling.

Cleaning Interior and Exterior:

Your hood must be kept clean and maintained properly

- Do not use abrasive cleaners, steel wool pads, or abrasive cloths.
- Do not allow grease to accumulate. For best results, wipe the canopy down with a soft cloth and warm, soapy water.
- The cleaning of the outside of the hood depends on the material used as a decorative exterior. See following details for hood specific material cleaning instructions.
- Do not use abrasive or aggressive chemicals to clean the interior or exterior of the hood.

USE & CARE INSTRUCTIONS

WARNING

Turn off power at the service panel prior to cleaning the hood.

For cleaning the hood, it is recommended to use a soft cloth and a solution of warm soapy water. It is important that the soap does not contain granules that could scratch the surface. Follow the direction of the metal grain with the cloth. The cloth must have no buttons or fasteners that could scratch the surface. Do not use chemical solvents, aggressive, grainy or abrasive products or similar products that could damage the surface of the hood. Test in an inconspicuous location if you are concerned about a particular cleaner.

Cleaning the Interior

Clean the interior of the hood using a soft cloth and warm soapy water or denatured alcohol as needed. Do not clean the electrical parts or blower with liquids or solvents. Allow to dry thoroughly before restoring power.

Cleaning the Exterior

It is important to follow the direction of the metal grain with the cloth. Do not use chemical solvents, aggressive, grainy or abrasive products or similar products that could damage the surface of the hood. Test in an inconspicuous location if you are concerned about a particular cleaner. For various finishes, see details below.

- **Painted with Gloss Finish**

Clean with a soft cloth and quality glass cleaner or warm soapy water. Follow all label instructions.

- **Brushed or Polished Stainless Steel (Strapping, Utensil Rails – some models)**

Clean with a soft cloth and quality stainless steel cleaner or warm soapy water. Follow all label instructions. Do not polish across the grain or in circles.

- **Brushed Brass, Brushed Copper (Strapping, Utensil Rails – some models)**

Clean with a microfiber cloth using Endust, Pledge (or similar cleaner) or warm soapy water. Follow all label instructions.

Big Chill Warranty

Big Chill, Inc. warrants your Big Chill appliance (“product”) purchased in the U.S. and Canada and installed in residential properties for normal residential use.

What Is Covered

Subject to the specific conditions and limitations below, this warranty covers parts and/or labor necessary to repair or replace any part of the product that contains defects in materials and workmanship.

One-Year Warranty

For one (1) year from the date of installation, this warranty covers all parts and labor necessary to repair or replace any part on the product except for the Cosmetic Warranty below.

Cosmetic Warranty

Big Chill offers a seven-day cosmetic warranty from the date of delivery on all deliveries. The Owner must report cosmetic imperfections within this seven-day period, supported by pictures and note “subject to inspection” at the time of delivery.

Limitations of Coverage

- The replacement of a part under this warranty does not extend the warranty period.
- Warranty service outside normal business hours and in areas beyond 50 miles one way from an authorized service provider. The owner will be responsible for any and all costs associated with additional mileage, non-standard service or overtime, and special equipment required to remove the product so service may be performed.

This warranty is null and void:

- If the product is removed from where it was originally installed.
- If the original factory installed serial number is altered or removed from the product.

What Is Not Covered

This warranty does not cover, and specifically excludes:

- Product installed or used in any commercial or other non-residential property such as, but not limited to, day care facilities, fire stations, hotels, nursing homes, rentals, vacation properties, etc.
- Installation related issues including improper badge placement or installation inconsistent with the product specifications/installation instructions.
- Damage or repairs caused by alterations or modifications, abuse, misuse, neglect, or improper installation, mounting, handling, operation, maintenance, or storage.
- Normal adjustments after installation and setup.
- Normal wear, care, and maintenance of the product as described in the use and care manual.

- Service calls to educate the customer on the proper use and care of the product.
- Consumable parts such as water filters.
- Damage or repairs caused by unauthorized service or repairs, including unauthorized adjustments or calibrations performed on the product.
- Accidental or intentional damage.
- Damage or repairs as a result of natural disasters, fires, floods, earthquakes, winds, lightning, corrosive atmosphere, loss of electrical power to the product for any reason, or other conditions beyond Big Chill’s control.
- Damage or repairs caused by alteration for outdoor use.
- Damage or repairs caused by the use of harsh chemicals or cleaning products improperly applied.
- Liability or responsibility for damage to surrounding property including cabinetry, floors, ceilings, etc.
- Consequential or incidental damage, including but not limited to food or medicine loss, restaurant meals, etc.

The terms of this warranty provide for repair of the product only. If the product cannot be repaired, Big Chill, at its sole discretion, will determine whether to exchange the product.

Please see the Arbitration Clause and Related Provisions, which affect your legal rights. The Arbitration Clause is available at www.bigchill.com.

This warranty is in lieu of all other express warranties.

ALL IMPLIED WARRANTIES, INCLUDING BUT NOT LIMITED TO WARRANTIES OF MERCHANTABILITY AND FITNESS FOR PARTICULAR PURPOSE ARE LIMITED TO THE DURATION OF THIS WARRANTY.

Some states and provinces do not allow the exclusion or limitation of incidental or consequential damages, so this provision may not apply.

If you are a California or Quebec resident, please refer to the section below.

THE OWNER AND BIG CHILL AGREE THAT THE REMEDIES SET OUT HEREIN ARE THE OWNER’S EXCLUSIVE REMEDIES FOR BREACH OF ALL WARRANTIES, EXPRESS OR IMPLIED.

WHETHER ANY CLAIM IS BASED ON NEGLIGENCE OR OTHER TORT, BREACH OF WARRANTY OR BREACH OF CONTRACT, OR ANY OTHER TORT THEORY, BIG CHILL SHALL IN NO EVENT BE LIABLE FOR INCIDENTAL, CONSEQUENTIAL OR SPECIAL DAMAGES, INCLUDING BUT NOT LIMITED TO EXTRA UTILITY EXPENSES, SHIPPING COSTS RELATED TO REPAIR OR REPLACEMENT OF ANY PRODUCT OR DAMAGES TO PROPERTY, RESULTING FROM BREACH OF THIS WARRANTY OR ANY IMPLIED WARRANTY.

For service or a warranty claim, please call 877-842-3269 or visit Parts & Service on bigchill.com.